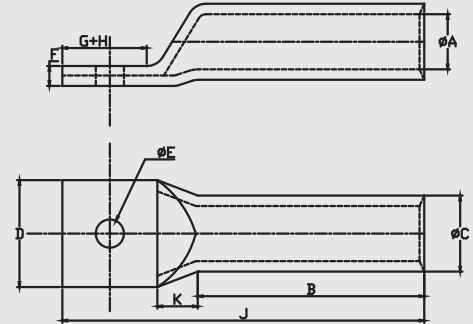




ALUMINUM LONG BARREL TUBULAR TERMINAL ENDS FOR XLPE

Material : Aluminum IS : 5082



Size mm ²	Stud Hole	A	C	D	F	B	K	H	G	J	MG CAT NO.	Crimping Tools Code
25	8.2	7.2	9.6	14	2.4	41	7	12	9	69	MGAXT-17	MG-50BS
35	8.2	8.3	11.1	16	2.8	50	7	11	11	79	MGAXT-18	MG-50BS
50	10.2	10.1	13.5	19.5	3.4	49	8	13	11	81	MGAXT-19	MG-120
70	10.2	10.2	14.5	20.5	4.3	62	8	13	13	96	MGAXT-20	MG-120
95	12.7	12	16.9	23.5	4.9	73	8	14	14	109	MGAXT-21	MG-120
120	12.7	13.7	19	26.5	5.3	73	11	15	15	114	MGAXT-22	MG-120
150	12.7	15.1	21.1	29.5	6.1	83	11	17	17	128	MGAXT-23	MG-300H
185	12.7	16.6	23.9	33	7.3	83	12	18	18	131	MGAXT-24	MG-300H
225	12.7	18.6	26.1	36	7.5	86	14	20	20	140	MGAXT-25	MG-300H
240	12.7	19.3	27.2	37.5	7.9	86	14	22	22	144	MGAXT-26	MG-300H
300	20.3	21.8	30.2	42	8.4	89	14	27	27	157	MGAXT-27	MG-300H
400	20.3	25	34.8	48	9.8	113	13	30	30	187	MGAXT-28	MG-1000
500	20.3	28.2	39.1	54	10.9	125	15	32	32	205	MGAXT-29	MG-1000
630	20.3	31.7	44.4	61	12.7	140	16	34	34	225	MGAXT-30	MG-1000
800	20.3	35.7	49.5	68	13.8	147	25	39	39	250	MGAXT-31	MG-1000
1000	20.3	41	56	77.5	15	160	30	45	45	280	MGAXT-32	MG-1000

*All dimensions in mm

WE CONNECT ENERGY

www.mgelectrica.com

F-41, MIDC Area, Satpur, Nasik-7, Maharashtra, India. Telfax: +91 253 2350961, 2350163 lugs@mgelectrica.com

For details about our other products and specifications please refer the corporate website

Disclaimer: M.G reserve the right product without prior, as part of its continual improvement programme. Whilst every effort is taken to ensure the accuracy of information contained in the sheet, M.G accepts no liability for matters arising as result of errors or omissions.