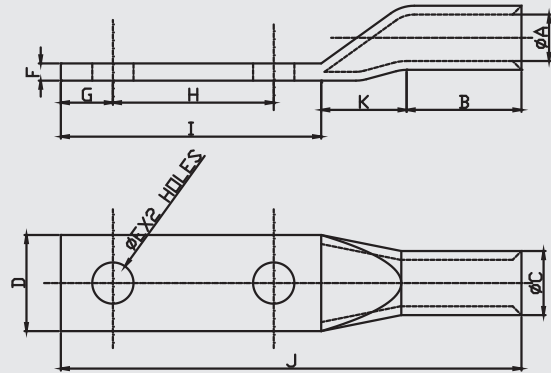




ALUMINUM LONG PALM DOUBLE STUD TUBULAR TERMINAL END

Material Aluminum IS :5082



Size mm ²	E	A	C	D	F	B	G	H	I	J	MG CAT NO.	Crimping Tools Code
25	8.2	7	9.7	13.7	2.7	21	11	20	-	70	MGALPD-25	MG-50BS
35	8.2	8	10.8	15.4	2.8	21	11	20	-	70	MGALPD-35	MG-50BS
50	10.3	9.3	13	20	3.5	30	13	40	65	115	MGALPD-50	MG-120H
70	10.3	11.6	16	24	4.4	30	13	40	65	115	MGALPD-70	MG-120H
95	10.3	12.9	17.1	25	4.2	30	13	40	65	115	MGALPD-95	MG-120H
120	13	15	19.6	28	4.6	50	20	40	81	145	MGALPD-120	MG-120H
150	13	16.5	21.5	31	5.3	50	20	40	90	156	MGALPD-150	MG-300H
185	13	18.5	24	34	6	50	20	40	90	156	MGALPD-185	MG-300H
240	13	21	27	39	6	50	20	40	90	156	MGALPD-240	MG-300H
300	13	24	31	44	6.8	50	20	40	90	156	MGALPD-300	MG-300H

*All dimensions in mm

WE CONNECT ENERGY

www.mgelectrica.com

F-41, MIDC Area, Satpur, Nasik-7, Maharashtra, India. Telfax: +91 253 2350961, 2350163 lugs@mgelectrica.com

For details about our other products and specifications please refer the corporate website

Disclaimer: M.G reserve the right product without prior, as part of its continual improvement programme. Whilst every effort is taken to ensure the accuracy of information contained in the sheet, M.G accepts no liability for matters arising as result of errors or omissions.