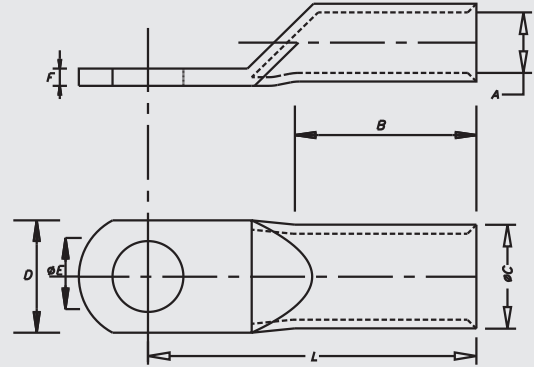




ALUMINUM TUBULAR DIN - 46329

MATERIAL : ALUMINUM
SURFACE: TIN PLATED



Size mm ²	Stud Hole	A	C	D	B	L	MG CAT NO.	Crim-ping Tools Code
25	8.2	6.8	12	20	30	50	MGALD-25-8	MG-70H
25	10.5	6.8	12	25	30	50	MGALD-25-10	MG-70H
35	8.2	8	14	25	42	62	MGALD-35-8	MG-70H
35	10.5	8	14	25	42	62	MGALD-35-10	MG-70H
50	8.2	9.8	16	25	42	62	MGALD-50-8	MG-70H
50	10.5	9.8	16	25	42	62	MGALD-50-10	MG-70H
70	8.2	11.2	19	25	56	72	MGALD-70-8	MG-120H
70	10.5	11.2	19	25	56	72	MGALD-70-10	MG-120H
70	13	11.2	19	25	56	72	MGALD-70-13	MG-120H
95	10.5	13.2	22	25	56	75	MGALD-95-10	MG-120H
95	13	13.2	22	25	56	75	MGALD-95-13	MG-120H
95	17	13.2	22	25	56	75	MGALD-95-17	MG-120H
120	10.5	14.7	23	30	56	80	MGALD-120-10	MG-300H
120	13	14.7	23	30	56	80	MGALD-120-13	MG-300H
120	17	14.7	23	30	56	80	MGALD-120-17	MG-300H
150	13	16.3	25	30	60	90	MGALD-150-13	MG-300H
150	17	16.3	25	30	60	90	MGALD-150-17	MG-300H
150	21	16.3	25	30	60	90	MGALD-150-21	MG-300H
185	13	18.3	28.5	30	60	91	MGALD-185-13	MG-300H

*All dimensions in mm

WE CONNECT ENERGY

www.mgelectrica.com

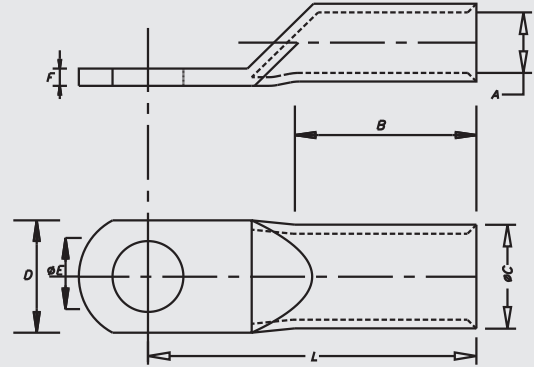
F-41, MIDC Area, Satpur, Nasik-7, Maharashtra, India. Telfax: +91 253 2350961, 2350163 lugs@mgelectrica.com

For details about our other products and specifications please refer the corporate website

Disclaimer: M.G reserve the right product without prior, as part of its continual improvement programme. Whilst every effort is taken to ensure the accuracy of information contained in the sheet, M.G accepts no liability for matters arising as result of errors or omissions.

ALUMINUM TUBULAR DIN - 46329

MATERIAL : ALUMINUM
SURFACE: TIN PLATED



Size mm ²	Stud Hole	A	C	D	B	L	MG CAT NO.	Crim- ping Tools Code
185	17	18.3	28.5	30	60	91	MGALD-185-17	MG-300H
185	21	18.3	28.5	30	60	91	MGALD-185-21	MG-300H
240	13	21	30	38	70	103	MGALD-240-13	MG-300H
240	17	21	30	38	70	103	MGALD-240-17	MG-300H
240	21	21	30	38	70	103	MGALD-240-21	MG-300H
300	13	23.3	34	38	70	103	MGALD-300-13	MG-1000
300	17	23.3	34	38	70	103	MGALD-300-17	MG-1000
300	21	23.3	34	38	70	103	MGALD-300-21	MG-1000
400	13	26	38	38	73	116	MGALD-400-13	MG-1000
400	17	26	38	38	73	116	MGALD-400-17	MG-1000
400	21	26	38	38	73	116	MGALD-400-21	MG-1000
500	13	29	42	44	79	122	MGALD-500-13	MG-1000
500	17	29	42	44	79	122	MGALD-500-17	MG-1000
500	21	29	42	44	79	122	MGALD-500-21	MG-1000

*All dimensions in mm

WE CONNECT ENERGY

www.mgelectrica.com

F-41, MIDC Area, Satpur, Nasik-7, Maharashtra, India. Telfax: +91 253 2350961, 2350163 lugs@mgelectrica.com

For details about our other products and specifications please refer the corporate website

Disclaimer: M.G reserve the right product without prior, as part of its continual improvement programme. Whilst every effort is taken to ensure the accuracy of information contained in the sheet, M.G accepts no liability for matters arising as result of errores or omissions.