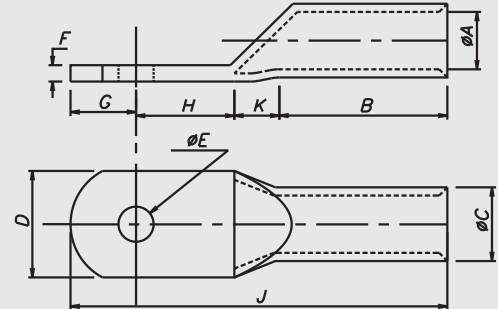




ALUMINUM TUBULAR TERMINAL ENDS AS PER IS 8309 : 1993

Material Aluminium IS :5082



Size mm ²	E	A	C	D	F	B	K	H	G	J	MG CAT NO.	Crimping Tools Code
2.5	3.2	2	5.5	6.6	3.5	7	3	4	4	18	MGALS-151	MG-10
2.5	3.7	2.6	5.5	7	2.9	7	3	4	4	18	MGALS-309	MG-10
4	4.2	2.9	5.5	7.2	2.6	7	3	4	4	18	MGALS-155	MG-10
4	5.2	2.9	5.5	12	1.2	7	4	7	6	23	MGALS-317	MG-10
6	5.2	3.5	5.5	7.5	2	7	4	7	6	24	MGALS-158	MG-10
6	6.5	3.5	5.5	12	1.1	7	4	7	6	24	MGALS-313	MG-10
10	4.2	3.8	6.2	8.4	2.4	7	4	9	8	28	MGALS-159	MG-10
10	6.4	4.4	7.2	9.7	2.8	9	4	9	8	30	MGALS-214	MG-10
10	8.2	4.4	7.2	15	1.8	9	4	9	8	30	MGALS-215	MG-10
16	6.4	5.4	8.3	11.4	2.9	13	4	11	9	37	MGALS-252	MG-50SC
16	8.2	5.4	8.3	11.4	2.9	13	4	11	9	37	MGALS-216	MG-50SC
16	10.2	5.4	8.3	18	1.8	13	4	11	9	37	MGALS-217	MG-50SC
25	6.4	7	9.7	13.7	2.7	16	7	11	10	44	MGALS-253	MG-50SC
25	8.2	7	9.7	13.7	2.7	16	7	11	10	44	MGALS-218	MG-50SC
25	10.2	7	9.7	20	1.7	16	7	11	10	44	MGALS-219	MG-50SC
25	12.7	7	9.7	20	1.7	16	7	11	10	44	MGALS-220	MG-50SC
35	6.4	8	10.8	15.4	2.8	18	7	11	11	47	MGALS-254	MG-50SC
35	8.2	8	10.8	15.4	2.8	18	7	11	11	47	MGALS-221	MG-50SC
35	10.2	8	10.8	20	2.1	18	7	11	11	47	MGALS-222	MG-50SC
50	8.2	9.3	13	18.3	3.7	22	8	13	11	54	MGALS-255	MG-50SC
50	10.2	9.3	13	23	2.8	22	8	13	11	54	MGALS-312	MG-50SC

*All dimensions in mm

WE CONNECT ENERGY

www.mgelectrica.com

F-41, MIDC Area, Satpur, Nasik-7, Maharashtra, India. Telfax: +91 253 2350961, 2350163 lugs@mgelectrica.com

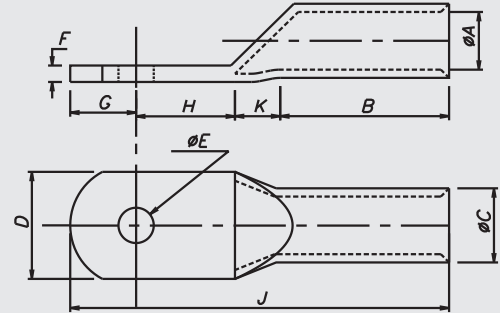
For details about our other products and specifications please refer the corporate website

Disclaimer: M.G reserve the right product without prior, as part of its continual improvement programme. Whilst every effort is taken to ensure the accuracy of information contained in the sheet, M.G accepts no liability for matters arising as result of errors or omissions.



ALUMINUM TUBULAR TERMINAL ENDS AS PER IS 8309 : 1993

Material Aluminium IS :5082



Size mm ²	E	A	C	D	F	B	K	H	G	J	MG CAT NO.	Crimping Tools Code
50	12.7	9.3	13	23	2.8	22	8	13	11	54	MGALS-224	MG-50SC
70	8.2	11.4	15.6	22.3	4.4	26	8	13	13	60	MGALS-256	MG-120
70	10.2	11.4	15.6	22.3	4.4	26	8	13	13	60	MGALS-225	MG-120
70	12.7	11.4	15.6	22.3	4.4	26	8	13	13	60	MGALS-226	MG-120
95	10.2	13	17.4	24.6	4.2	28	8	14	14	64	MGALS-227	MG-120
95	12.7	13	17.4	24.6	4.2	28	8	14	14	64	MGALS-228	MG-120
95	16.2	13	17.4	24.6	4.2	28	8	14	14	64	MGALS-229	MG-120
120	10.2	14.7	19.6	28.2	4.6	32	11	15	15	73	MGALS-257	MG-120
120	12.7	14.7	19.6	28.2	4.6	32	11	15	15	73	MGALS-230	MG-120
120	16.2	14.7	19.6	28.2	4.6	32	11	15	15	73	MGALS-231	MG-120
150	10.2	16.5	21.5	30.9	5	34	11	17	17	79	MGALS-258	MG-300H
150	12.7	16.5	21.5	30.9	5	34	11	17	17	79	MGALS-232	MG-300H
150	16.2	16.5	21.5	30.9	5	34	11	17	17	79	MGALS-233	MG-300H
185	10.2	18.5	24	34.6	5.5	36	12	18	18	84	MGALS-311	MG-300H
185	12.7	18.5	24	34.6	5.5	36	12	18	18	84	MGALS-234	MG-300H
185	16.2	18.5	24	34.6	5.5	36	12	18	18	84	MGALS-235	MG-300H
225	12.7	21	27	39	6	40	14	20	20	94	MGALS-320	MG-300H
240	12.7	21.3	28.2	40.6	6.6	44	14	22	22	102	MGALS-236	MG-300H

*All dimensions in mm

WE CONNECT ENERGY

www.mgelectrica.com

F-41, MIDC Area, Satpur, Nasik-7, Maharashtra, India. Telfax: +91 253 2350961, 2350163 lugs@mgelectrica.com

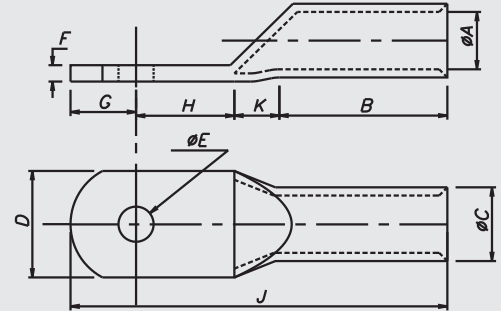
For details about our other products and specifications please refer the corporate website

Disclaimer: M.G reserve the right product without prior, as part of its continual improvement programme. Whilst every effort is taken to ensure the accuracy of information contained in the sheet, M.G accepts no liability for matters arising as result of errors or omissions.



ALUMINUM TUBULAR TERMINAL ENDS AS PER IS 8309 : 1993

Material Aluminium IS :5082



Size mm ²	E	A	C	D	F	B	K	H	G	J	MG CAT NO.	Crimping Tools Code
240	16.2	21.3	28.2	40.6	6.6	44	14	22	22	102	MGALS-237	MG-300H
300	16.2	24.1	31.2	44.2	8.5	47	14	27	27	115	MGALS-300	MG-300H
300	20.3	24.1	31.2	44.2	7	47	14	27	27	115	MGALS-259	MG-300H
400	20.3	27.1	35.7	51.5	8.5	56	13	31	30	130	MGALS-260	MG-1000
500	20.3	30.2	41	58.7	10	60	15	33	32	140	MGALS-296	MG-1000
625	20.3	35.2	46	66	10	69	16	35	34	154	MGALS-261	MG-1000
800	---	39	51	73	12	77	25	39	39	180	MGALS-318	MG-1000
1000	---	43.5	57	81.9	13.5	100	30	45	45	220	MGALS-319	MG-1000

*All dimensions in mm

WE CONNECT ENERGY

www.mgelectrica.com

F-41, MIDC Area, Satpur, Nasik-7, Maharashtra, India. Telfax: +91 253 2350961, 2350163 lugs@mgelectrica.com

For details about our other products and specifications please refer the corporate website

Disclaimer: M.G reserve the right product without prior, as part of its continual improvement programme. Whilst every effort is taken to ensure the accuracy of information contained in the sheet, M.G accepts no liability for matters arising as result of errors or omissions.