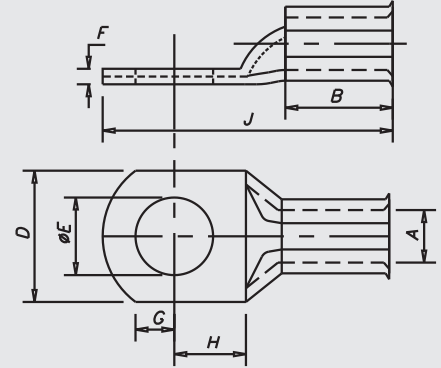




## COPPER CABLE TERMINAL ENDS BELL MOUTH AS PER AUSTRALIAN STANDARD

Material E-Copper  
Finished Electro Tinned



Size mm <sup>2</sup>	E	A	D	F	B	G	H	J	MG CAT NO.	Crimping Tools Code
1.5	4.2	2	8	1	7.5	4	5	18.5	MGAHT 1.5-4	MG-10
1.5	5.2	2	8	1	7.5	4	5	18.5	MGAHT 1.5-5	MG-10
1.5	6.5	2	10	0.8	7.5	4	6	19.5	MGAHT 1.5-6	MG-10
2.5	4.2	2.5	8	1	8	4	5	19	MGAHT 2.5-4	MG-10
2.5	5.2	2.5	10	0.8	8	5	6	20	MGAHT 2.5-5	MG-10
2.5	6.5	2.5	10	0.8	8	5	6	20	MGAHT 2.5-6	MG-10
2.5	8.4	2.5	11	0.7	8	6	9	26	MGAHT 2.5-8	MG-10
4	5.2	3.3	10	1	9	5	6	22	MGAHT 4-5	MG-10
4	6.5	3.3	10	1	9	5	6	22	MGAHT 4-6	MG-10
4	8.4	3.3	12	0.8	9	6	9	26	MGAHT 4-8	MG-10
4	10.2	3.3	15	0.8	9	8	11	32	MGAHT 4-10	MG-10
6	5.2	3.8	10	1.2	10	5	6	23	MGAHT 6-5	MG-10
6	6.5	3.8	12	1	10	6	9	27	MGAHT 6-6	MG-10
6	8.4	3.8	12	1	10	6	9	27	MGAHT 6-8	MG-10
6	10.2	3.8	15	0.8	10	8	11	32	MGAHT 6-10	MG-10
10	5.2	4.7	12	1.8	10	6	7	27	MGAHT 10-5	MG-50BS
10	6.5	4.7	12	1.8	10	6	7	27	MGAHT 10-6	MG-50BS
10	8.4	4.7	14	1.6	10	7	8	29	MGAHT 10-8	MG-50BS
10	10.5	4.7	15	1.5	10	8	10	32	MGAHT 10-10	MG-50BS

\*All dimensions in mm

**WE CONNECT ENERGY**

[www.mgelectrica.com](http://www.mgelectrica.com)

F-41, MIDC Area, Satpur, Nasik-7, Maharashtra, India. Telfax: +91 253 2350961, 2350163 lugs@mgelectrica.com

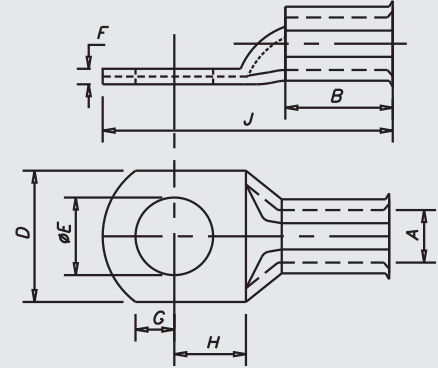
**For details about our other products and specifications please refer the corporate website**

Disclaimer: M.G reserve the right product without prior, as part of its continual improvement programme. Whilst every effort is taken to ensure the accuracy of information contained in the sheet, M.G accepts no liability for matters arising as result of errors or omissions.



## COPPER CABLE TERMINAL ENDS BELL MOUTH AS PER AUSTRALIAN STANDARD

Material E-Copper  
Finished Electro Tinned



Size mm <sup>2</sup>	E	A	D	F	B	G	H	J	MG CAT NO.	Crimping Tools Code
10	13	4.7	18	1	10	10	12	38	MGAHT 10-12	MG-50BS
16	6.5	5.5	11	2.4	19	7	9	39	MGAHT 16-6	MG-50BS
16	8.4	5.5	14	1.7	19	7	9	39	MGAHT 16-8	MG-50BS
16	10.5	5.5	16	1.5	19	8	10	41	MGAHT 16-10	MG-50BS
16	13	5.5	18	1.2	19	10	13	46	MGAHT 16-12	MG-50BS
25	6.5	7.1	13.5	2.4	21	7	9	41	MGAHT 25-6	MG-50BS
25	8.4	7.1	13.5	2.4	21	7	9	41	MGAHT 25-8	MG-50BS
25	10.5	7.1	16	1.9	21	9	10	44	MGAHT 25-10	MG-50BS
25	13	7.1	18	1.6	21	10	13	48	MGAHT 25-12	MG-50BS
35	6.5	8.4	16	3	21	9	10	45	MGAHT 35-6	MG-50BS
35	8.4	8.4	16	3	21	9	10	45	MGAHT 35-8	MG-50BS
35	10.5	8.4	18	2.6	21	9	10	45	MGAHT 35-10	MG-50BS
35	13	8.4	20	2.2	21	11	13	51	MGAHT 35-12	MG-50BS
50	6.5	9.5	18	3.3	22	8	10	46	MGAHT 50-6	MG-120
50	8.4	9.5	18	3.3	22	8	10	46	MGAHT 50-8	MG-120
50	10.5	9.5	18	3.3	22	8	10	52	MGAHT 50-10	MG-120
50	13	9.5	21	2.7	22	11	13	54	MGAHT 50-12	MG-120
70	6.5	11.3	21	3.5	24	11	13	54	MGAHT 70-6	MG-120
70	8.4	11.3	21	3.5	24	11	13	54	MGAHT 70-8	MG-120

\*All dimensions in mm

WE CONNECT ENERGY

[www.mgelectrica.com](http://www.mgelectrica.com)

F-41, MIDC Area, Satpur, Nasik-7, Maharashtra, India. Telfax: +91 253 2350961, 2350163 lugs@mgelectrica.com

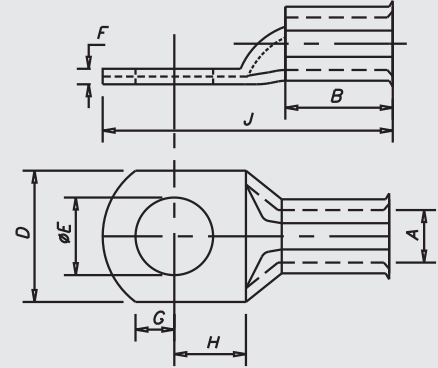
For details about our other products and specifications please refer the corporate website

Disclaimer: M.G reserve the right product without prior, as part of its continual improvement programme. Whilst every effort is taken to ensure the accuracy of information contained in the sheet, M.G accepts no liability for matters arising as result of errors or omissions.



## COPPER CABLE TERMINAL ENDS BELL MOUTH AS PER AUSTRALIAN STANDARD

Material E-Copper  
Finished Electro Tinned



Size mm <sup>2</sup>	E	A	D	F	B	G	H	J	MG CAT NO.	Crimping Tools Code
70	10.5	11.3	21	3.5	24	11	13	54	MGAHT 70-10	MG-120
70	13	11.3	21	3.5	24	11	13	54	MGAHT 70-12	MG-120
70	17	11.3	26	3	24	14	16	61	MGAHT 70-16	MG-120
95	8.4	13.5	25	4	27	12	14	60	MGAHT 95-8	MG-300H
95	10.5	13.5	25	4	27	12	14	60	MGAHT 95-10	MG-300H
95	13	13.5	25	4	27	12	14	60	MGAHT 95-12	MG-300H
95	17	13.5	25	4	27	14	16	61	MGAHT 95-16	MG-300H
120	8.4	15.6	30	5	30	12	14	64	MGAHT 120-8	MG-300H
120	10.5	15.6	30	5	30	12	14	64	MGAHT 120-10	MG-300H
120	13	15.6	30	5	30	12	14	64	MGAHT 120-12	MG-300H
120	17	15.6	30	5	30	16	16	72	MGAHT 120-16	MG-300H
150	10.5	16.7	32	5.8	30	16	16	71	MGAHT 150-10	MG-300H
150	13	16.7	32	5.8	30	18	18	75	MGAHT 150-12	MG-300H
150	17	16.7	32	5.8	30	18	18	75	MGAHT 150-16	MG-300H
185	10.5	18.4	36	6.4	32	16	16	74	MGAHT 185 -10	MG-300H
185	13	18.4	36	6.4	32	18	18	79	MGAHT 185-12	MG-300H
185	17	18.4	36	6.4	32	18	18	79	MGAHT 185-16	MG-300H
240	BL	21.2	41	7	38	21	21	92	MGAHT 240-BL	MG-300H
240	10.5	21.2	41	7	38	21	21	92	MGAHT 240-10	MG-300H

\*All dimensions in mm

WE CONNECT ENERGY

[www.mgelectrica.com](http://www.mgelectrica.com)

F-41, MIDC Area, Satpur, Nasik-7, Maharashtra, India. Telfax: +91 253 2350961, 2350163 lugs@mgelectrica.com

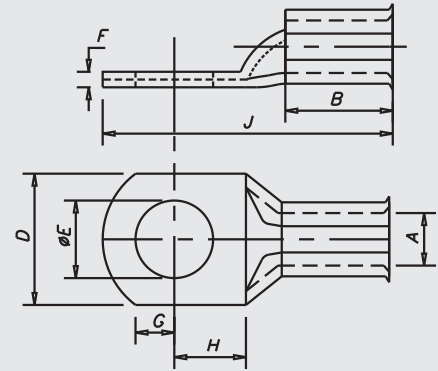
For details about our other products and specifications please refer the corporate website

Disclaimer: M.G reserve the right product without prior, as part of its continual improvement programme. Whilst every effort is taken to ensure the accuracy of information contained in the sheet, M.G accepts no liability for matters arising as result of errors or omissions.



## COPPER CABLE TERMINAL ENDS BELL MOUTH AS PER AUSTRALIAN STANDARD

Material E-Copper  
Finished Electro Tinned



Size mm <sup>2</sup>	E	A	D	F	B	G	H	J	MG CAT NO.	Crimping Tools Code
240	13	21.2	41	7	38	21	21	92	MGAHT 240-12	MG-300H
240	17	21.2	41	7	38	21	21	92	MGAHT 240-16	MG-300H
300	BL	23.8	46	7.8	42	23	23	101	MGAHT 300-BL	MG-300H
300	13	23.8	46	7.8	42	23	23	101	MGAHT 300-12	MG-300H
300	17	23.8	46	7.8	42	23	23	101	MGAHT 300-16	MG-300H
400	BL	26.8	50	8	44	24	24	107	MGAHT 400-BL	MG-1000
500	BL	30	56	9	50	27	27	119	MGAHT 500-BL	MG-1000
630	BL	34	64.4	11	58	32	32	139	MGAHT 630-BL	MG-1000

Bell mouth lug starts fro 10 mm<sup>2</sup> to 300 mm<sup>2</sup>

\*All dimensions in mm

**WE CONNECT ENERGY**

[www.mgelectrica.com](http://www.mgelectrica.com)

F-41, MIDC Area, Satpur, Nasik-7, Maharashtra, India. Telfax: +91 253 2350961, 2350163 [lugs@mgelectrica.com](mailto:lugs@mgelectrica.com)

**For details about our other products and specifications please refer the corporate website**

Disclaimer: M.G reserve the right product without prior, as part of its continual improvement programme. Whilst every effort is taken to ensure the accuracy of information contained in the sheet, M.G accepts no liability for matters arising as result of erros or omissions.