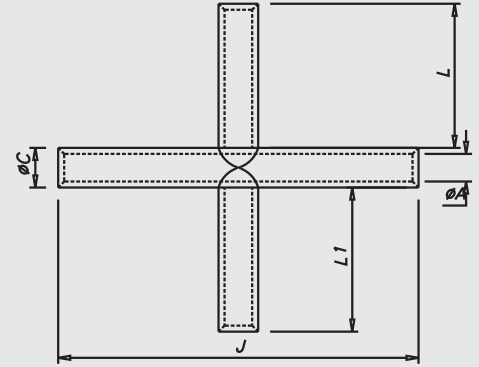




COPPER CROSS CONNECTORS

MATERIAL : COPPER BS 1977:1976
& IS 1897
SURFACE: TIN PLATED



Cable Size mm ²	A	C	J	L	L-1	MG CAT NO.	Crimping Tools Code
1.5	1.8	3.3	30	12	12	MGTC-1.5	MG-10
2.5	2.3	4.2	30	12	12	MGTC-2.5	MG-10
4	3	5	30	12	12	MGTC-4	MG-10
6	4	6	35	14	14	MGTC-6	MG-10
10	4.5	7	35	14	14	MGTC-10	MG-10
16	5.5	8.5	50	21	21	MGTC-16	MG-50BS
25	7	10	55	23	23	MGTC-25	MG-50BS
35	8.5	12	70	30	30	MGTC-35	MG-50BS
50	10	14	80	34	34	MGTC-50	MG-50BS
70	12	16.5	85	35	35	MGTC-70	MG-70H
95	13.5	18	90	36	36	MGTC-95	MG-120H
120	15	19.5	95	38	38	MGTC-120	MG-120H
150	16.5	21	110	44	44	MGTC-150	MG-120H
185	19	24	115	45	45	MGTC-185	MG-120H
240	21	26	130	52	52	MGTC-240	MG-120H

*All dimensions in mm

WE CONNECT ENERGY

www.mgelectrica.com

F-41, MIDC Area, Satpur, Nasik-7, Maharashtra, India. Telfax: +91 253 2350961, 2350163 lugs@mgelectrica.com

For details about our other products and specifications please refer the corporate website

Disclaimer: M.G reserve the right product without prior, as part of its continual improvement programme. Whilst every effort is taken to ensure the accuracy of information contained in the sheet, M.G accepts no liability for matters arising as result of errors or omissions.