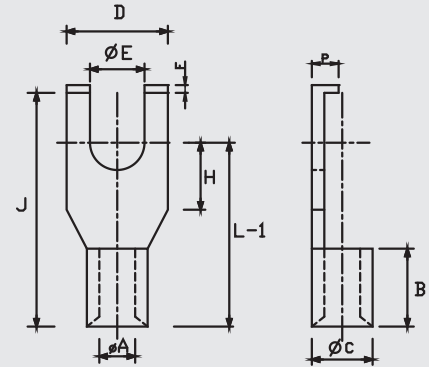


## COPPER FORK HOOK TYPE TERMINAL

MATERIAL ETP COPPER IS : 1897:1983  
SURFACE: TIN PLATED



Size mm <sup>2</sup>	E	A	C	D	F	B	H	L-1	J	P	MG CAT NO.	Crimping Tools Code
1.5	2.3	1.6	3.2	6	0.8	5	5.2	10.2	13	1	MGFH-7278	MG-10
1.5	2.3	1.6	3.2	4.6	0.8	5	5.2	10.2	13	1	MGFH-7265	MG-10
1.5	4.1	1.6	3.2	7.5	0.8	5	6.5	11.5	15	2.4	MGFH-7266	MG-10
1.5	3.6	1.6	3.2	6.8	0.8	5	3	10	15	1.6	MGFH-7256	MG-10
1.5	5.1	1.6	3.2	8	0.8	5	5	12	18	1.6	MGFH-7257	MG-10
1.5	6.3	1.6	3.2	12	0.8	5	5	13	19	1.6	MGFH-7270	MG-10
1.5	8.1	1.6	3.2	12	0.8	5	5	13	19	1.6	MGFH-7271	MG-10
2.5	3.6	2.3	3.9	6.5	0.8	5	3	10	15	1.6	MGFH-7258	MG-10
2.5	4.1	2.3	3.9	7.7	0.8	5	3	10	16	1.6	MGFH-7259	MG-10
2.5	6.3	2.3	3.9	12	0.8	5	5	13	19	1.6	MGFH-7272	MG-10
2.5	8.1	2.3	3.9	12	0.8	5	5	13	19	1.6	MGFH-7273	MG-10
4	4.1	3.1	5.5	10	1.2	6	5	14	20	2	MGFH-7274	MG-10
4	5.1	3.1	5.5	10	1.2	6	5	14	20	2	MGFH-7275	MG-10
4	6.3	3.1	5.5	12	1.2	6	5	14	20	2	MGFH-7276	MG-10
4	8.1	3.1	5.5	12	1.2	6	5	14	20	2	MGFH-7277	MG-10
4-6	4.1	3.5	5.5	10	1	6	3	12	18	2	MGFH-7261	MG-10
4-6	5.1	3.5	5.5	10	1	6	5	14	20	2	MGFH-7262	MG-10
4-6	5.1	3.5	5.5	12	1	6	5	14	20	2	MGFH-7263	MG-10
4-6	4.1	3.5	5.5	8	1	6	5	13	17	2	MGFH-7268	MG-10
4-6	5.1	3.5	5.5	8	1	6	5	13	17	2	MGFH-7269	MG-10

\*All dimensions in mm

WE CONNECT ENERGY

[www.mgelectrica.com](http://www.mgelectrica.com)

F-41, MIDC Area, Satpur, Nasik-7, Maharashtra, India. Telfax: +91 253 2350961, 2350163 lugs@mgelectrica.com

For details about our other products and specifications please refer the corporate website

Disclaimer: M.G reserve the right product without prior, as part of its continual improvement programme. Whilst every effort is taken to ensure the accuracy of information contained in the sheet, M.G accepts no liability for matters arising as result of errors or omissions.