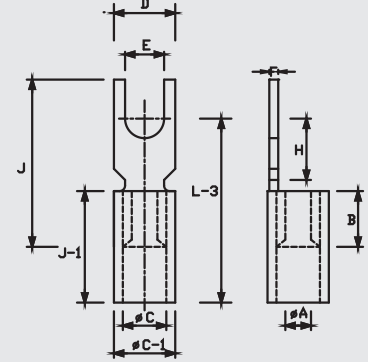




COPPER FORK INSULATED TYPE TERMINAL

MATERIAL ETP COPPER IS : 1897:1983
SURFACE: TIN PLATED

1.5 sq. mm. **RED**
2.5 sq. mm. **BLUE**
4-6 sq. mm. **YELLOW**



Size mm ²	E	A	C	D	F	B	H	J	C-1	J-1	L-3	MG CAT NO.	Crimping Tools Code
1.5	3.5	1.6	3.2	6.8	0.8	5	4.8	15	4.8	10	20.8	MGFI-7926	MG-10I
1.5	3	1.7	3.4	6.4	0.8	5	3.1	13	4.8	10	20.5	MGFI-7927	MG-10I
2.5	3.5	2.3	3.9	6.5	0.8	5	4.3	15	5.5	10	21.8	MGFI-7928	MG-10I
2.5	4.2	2.3	3.9	8	0.8	5		17.5	5.5	10		MGFI-1025	MG-10I
2.5	5	2.6	4.6	10.6	1	6.2	6.2	21	5.5	10	20	MGFI-7929	MG-10I
4-6	3.1	3.5	5.5	6	1	6	5.5	15	7.1	14	27.5	MGFI-7930	MG-10I
4-6	3.5	3.5	5.5	6	1	6	5	15	7.1	14	27	MGFI-7931	MG-10I
10	6.5	4.5	6.9	16	1.2	8	11	27	7.9	16	35	MGFI-7932	MG-10I
10	8.2	4.5	6.9	16	1.2	8	11	27	7.9	16	35	MGFI-7933	MG-10I

*All dimensions in mm

WE CONNECT ENERGY

www.mgelectrica.com

F-41, MIDC Area, Satpur, Nasik-7, Maharashtra, India. Telfax: +91 253 2350961, 2350163 lugs@mgelectrica.com

For details about our other products and specifications please refer the corporate website

Disclaimer: M.G reserve the right product without prior, as part of its continual improvement programme. Whilst every effort is taken to ensure the accuracy of information contained in the sheet, M.G accepts no liability for matters arising as result of errores or omissions.