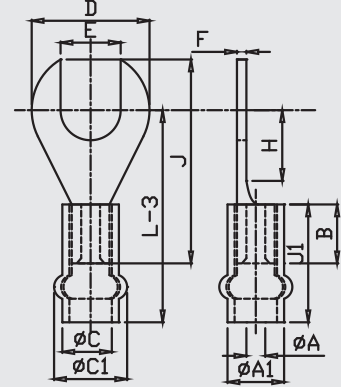




## COPPER FORK 'U' INSULATED WITH METAL REINFORCEMENT TERMINAL

MATERIAL ETP COPPER IS : 1897:1983  
SURFACE: TIN PLATED



Size mm <sup>2</sup>	E	A	C	D	F	B	H	J	J-1	A-1	C-1	L-3	MG CAT NO.	Crimping Tools Code
1.5	3.1	1.6	3.2	6	0.8	5	4	14	10	3.6	4.8	16	MGUR-7899	MG-101
1.5	3.6	1.6	3.2	6	0.8	5	4	14	10	3.6	4.8	16	MGUR-7900	MG-101
1.5	3.1	1.6	3.2	6.8	0.8	5	4.6	13	10	3.6	4.8	14.6	MGUR-7901	MG-101
1.5	3.6	1.6	3.2	6.8	0.8	5	4.6	13	10	3.6	4.8	14.6	MGUR-7902	MG-101
1.5	4.1	1.6	3.2	7	0.8	5	5	14	10	3.6	4.8	16	MGUR-7903	MG-101
1.5	4.1	1.6	3.2	8	0.8	5	5	16	10	3.6	4.8	17	MGUR-7904	MG-101
1.5	5.1	1.6	3.2	10	0.8	5	6	18	10	3.6	4.8	18	MGUR-7905	MG-101
1.5	6.1	1.6	3.2	10	0.8	5	6	18	10	3.6	4.8	18	MGUR-7906	MG-101
2.5	3.1	2.3	3.9	6.5	0.8	5	3.5	12.7	10	4.4	5.5	14.5	MGUR-7907	MG-101
2.5	3.6	2.3	3.9	6.5	0.8	5	3.5	12.7	10	4.4	5.5	14.5	MGUR-7908	MG-101
2.5	4.1	2.3	3.9	8	0.8	5	5	16	10	4.4	5.5	17	MGUR-7909	MG-101
2.5	5.1	2.3	3.9	10	0.8	5	7	18	10	4.4	5.5	18	MGUR-7910	MG-101
2.5	6.1	2.3	3.9	10	0.8	5	7	18	10	4.4	5.5	18	MGUR-7911	MG-101
4-6	4.1	3.5	5.5	8	1	6	5	17	14	6.4	5.5	21	MGUR-7912	MG-101
4-6	4.1	3.5	5.5	10	1	6	5	19	14	6.4	7.1	22	MGUR-7913	MG-101
4-6	5.1	3.5	5.5	10	1	6	5	19	14	6.4	7.1	22	MGUR-7914	MG-101
4-6	5.1	3.5	5.5	12	1	6	7	22	14	6.4	7.1	24	MGUR-7915	MG-101
4-6	6.1	3.5	5.5	12	1	6	7	22	14	6.4	7.1	24	MGUR-7916	MG-101
10	4.1	4.3	6.3	10	1	8	7	22	16	6.8	7.9	25	MGUR-7917	

\*All dimensions in mm

WE CONNECT ENERGY

[www.mgelectrica.com](http://www.mgelectrica.com)

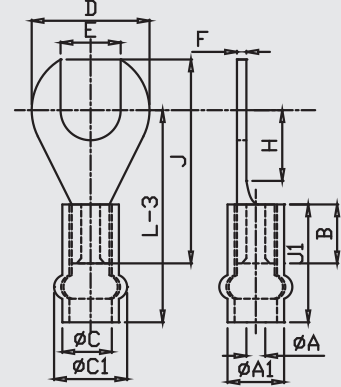
F-41, MIDC Area, Satpur, Nasik-7, Maharashtra, India. Telfax: +91 253 2350961, 2350163 lugs@mgelectrica.com

For details about our other products and specifications please refer the corporate website

Disclaimer: M.G reserve the right product without prior, as part of its continual improvement programme. Whilst every effort is taken to ensure the accuracy of information contained in the sheet, M.G accepts no liability for matters arising as result of errors or omissions.

## COPPER FORK 'U' INSULATED WITH METAL REINFORCEMENT TERMINAL

MATERIAL ETP COPPER IS : 1897:1983  
SURFACE: TIN PLATED



Size mm <sup>2</sup>	E	A	C	D	F	B	H	J	J-1	A-1	C-1	L-3	MG CAT NO.	Crimping Tools Code
10	5.1	4.3	6.3	10	1	8	7	22	16	6.8	7.9	25	MGUR-7918	
10	6.1	4.3	6.3	12	1	8	7	23	16	6.8	7.9	25	MGUR-7919	
10	8.1	4.3	6.3	16	1	8	7	27	16	6.8	7.9	27	MGUR-7920	
16	5.1	5.6	8	10	1.2	10	6	24	20	10.9	10	29	MGUR-7921	
16	6.1	5.6	8	12	1.2	10	6	26	20	10.9	10	30	MGUR-7922	
16	8.1	5.6	8	16	1.2	10	8	30	20	10.9	10	32	MGUR-7923	
16	8.1	5.6	8	18	1.2	10	10	33	20	10.9	10	34	MGUR-7924	

\*All dimensions in mm

WE CONNECT ENERGY

[www.mgelectrica.com](http://www.mgelectrica.com)

F-41, MIDC Area, Satpur, Nasik-7, Maharashtra, India. Telfax: +91 253 2350961, 2350163 lugs@mgelectrica.com

**For details about our other products and specifications please refer the corporate website**

Disclaimer: M.G reserve the right product without prior, as part of its continual improvement programme. Whilst every effort is taken to ensure the accuracy of information contained in the sheet, M.G accepts no liability for matters arising as result of errors or omissions.