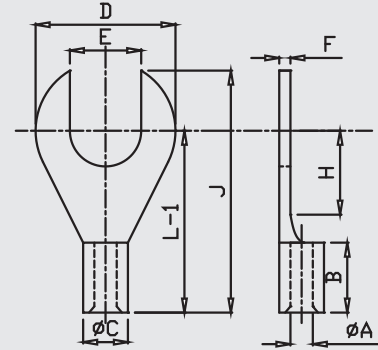


## COPPER FORK 'U' TYPE TERMINAL

MATERIAL ETP COPPER IS : 1897:1983  
SURFACE: TIN PLATED



Size mm <sup>2</sup>	E	A	C	D	F	B	H	L-1	J	MG CAT NO.	Crimping Tools Code
1.5	3.1	1.6	3.2	6	0.8	5	4	11	14	MGU-7235	MG-10
1.5	3.6	1.6	3.2	6	0.8	5	4	11	14	MGU-7240	MG-10
1.5	3.1	1.6	3.2	6.8	0.8	5	4.6	9.6	13	MGU-7241	MG-10
1.5	3.6	1.6	3.2	6.8	0.8	5	4.6	9.6	13	MGU-7244	MG-10
1.5	4.1	1.6	3.2	7	0.8	5	5	11	14	MGU-7237	MG-10
1.5	4.1	1.6	3.2	8	0.8	5	5	12	16	MGU-7236	MG-10
1.5	5.1	1.6	3.2	10	0.8	5	6	13	18	MGU-7238	MG-10
1.5	6.1	1.6	3.2	10	0.8	5	6	13	18	MGU-7861	MG-10
2.5	3.1	2.3	3.9	6.5	0.8	5	3.5	9.5	12.7	MGU-7862	MG-10
2.5	3.6	2.3	3.9	6.5	0.8	5	3.5	9.5	12.7	MGU-7863	MG-10
2.5	4.1	2.3	3.9	8	0.8	5	5	12	16	MGU-7239	MG-10
2.5	5.1	2.3	3.9	10	0.8	5	7	13	18	MGU-7242	MG-10
2.5	6.1	2.3	3.9	10	0.8	5	7	13	18	MGU-7864	MG-10
4-6	4.1	3.5	5.5	8	1	6	5	13	17	MGU-7243	MG-10
4-6	4.1	3.5	5.5	10	1	6	5	14	19	MGU-7245	MG-10
4-6	5.1	3.5	5.5	10	1	6	5	14	19	MGU-7246	MG-10
4-6	5.1	3.5	5.5	10	1	6	7	16	22	MGU-7247	MG-10
4-6	6.1	3.5	5.5	12	1	6	7	16	22	MGU-7248	MG-10
10	4.1	4.3	6.3	10	1	8	7	17	22	MGU-7865	MG-10
10	5.1	4.3	6.3	10	1	8	7	17	22	MGU-7866	MG-10

\*All dimensions in mm

WE CONNECT ENERGY

[www.mgelectrica.com](http://www.mgelectrica.com)

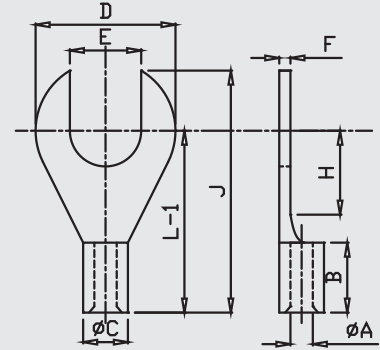
F-41, MIDC Area, Satpur, Nasik-7, Maharashtra, India. Telfax: +91 253 2350961, 2350163 lugs@mgelectrica.com

For details about our other products and specifications please refer the corporate website

Disclaimer: M.G reserve the right product without prior, as part of its continual improvement programme. Whilst every effort is taken to ensure the accuracy of information contained in the sheet, M.G accepts no liability for matters arising as result of errors or omissions.

## COPPER FORK 'U' TYPE TERMINAL

MATERIAL ETP COPPER IS : 1897:1983  
SURFACE: TIN PLATED



Size mm <sup>2</sup>	E	A	C	D	F	B	H	L-1	J	MG CAT NO.	Crim- ping Tools Code
10	6.1	4.3	6.3	12	1	8	7	17	23	MGU-7867	MG-10
10	8.1	4.3	6.3	16	1	8	7	19	27	MGU-7868	MG-10
16	5.1	5.6	8	10	1.2	10	6	19	24	MGU-7869	MG-50SC
16	6.1	5.6	8	12	1.2	10	6	20	26	MGU-7870	MG-50SC
16	8.1	5.6	8	16	1.2	10	8	22	30	MGU-7871	MG-50SC
16	8.1	5.6	8	18	1.2	10	10	24	33	MGU-7872	MG-50SC

\*All dimensions in mm

WE CONNECT ENERGY

[www.mgelectrica.com](http://www.mgelectrica.com)

F-41, MIDC Area, Satpur, Nasik-7, Maharashtra, India. Telfax: +91 253 2350961, 2350163 lugs@mgelectrica.com

**For details about our other products and specifications please refer the corporate website**

Disclaimer: M.G reserve the right product without prior, as part of its continual improvement programme. Whilst every effort is taken to ensure the accuracy of information contained in the sheet, M.G accepts no liability for matters arising as result of errors or omissions.