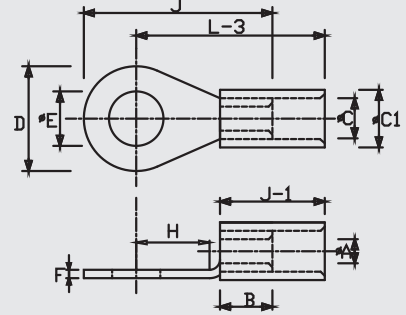




COPPER RING INSULATED TYPE TERMINAL

MATERIAL ETP COPPER IS : 1897:1983
SURFACE: TIN PLATED

1.5 sq. mm. **RED**
2.5 sq. mm. **BLUE**
4-6 sq. mm. **YELLOW**



Size mm ²	E	A	C	D	F	B	H	J	J-1	L-3	C-1	MG CAT NO.	Crimping Tools Code
1.5	2.5	1.6	3.2	6	0.8	5	4	14	10	16	4.8	MGRI-7053	MG-10I
1.5	3.2	1.6	3.2	6	0.8	5	4	14	10	16	4.8	MGRI-7054	MG-10I
1.5	3.5	1.6	3.2	6	0.8	5	4	14	10	16	4.8	MGRI-7055	MG-10I
1.5	4.2	1.6	3.2	6	0.8	5	4	14	10	16	4.8	MGRI-7056	MG-10I
1.5	3.5	1.6	3.2	6.8	0.8	5	3.6	13	10	14.6	4.8	MGRI-7058	MG-10I
1.5	4.2	1.6	3.2	6.8	0.8	5	3.6	13	10	14.6	4.8	MGRI-7059	MG-10I
1.5	5.2	1.6	3.2	10	0.8	5	6	18	10	18	4.8	MGRI-7065	MG-10I
1.5	6.4	1.6	3.2	10	0.8	5	6	18	10	18	4.8	MGRI-7066	MG-10I
1.5	4.2	1.6	3.2	8	0.8	5	5	16	10	17	4.8	MGRI-7061	MG-10I
1.5	5.2	1.6	3.2	8	0.8	5	5	16	10	17	4.8	MGRI-7062	MG-10I
1.5	2.2	1.6	3.2	6	0.8	5	4	14	10	16	4.8	MGRI-7052	MG-10I
1.5	3.2	1.6	3.2	6.8	0.8	5	3.6	13	10	14.6	4.8	MGRI-7057	MG-10I
1.5	4.2	1.6	3.2	10	0.8	5	6	18	10	18	4.8	MGRI-7064	MG-10I
1.5	6.4	1.6	3.2	12	0.8	5	6	18	10	17	4.8	MGRI-7067	MG-10I
1.5	3.2	1.6	3.2	8	0.8	5	5	16	10	17	4.8	MGRI-7060	MG-10I
1.5	4.2	1.6	3.2	7	0.8	5	5	14.5	10	16	4.8	MGRI-7063	MG-10I
2.5	3.7	2.3	3.9	6.5	0.8	5	3.5	12.7	10	14.5	5.5	MGRI-7069	MG-10I
2.5	4.2	2.3	3.9	8	0.8	5	5	16	10	17	5.5	MGRI-7071	MG-10I
2.5	5.2	2.3	3.9	8	0.8	5	5	16	10	17	5.5	MGRI-7072	MG-10I
2.5	6.4	2.3	3.9	10	0.8	5	7	18	10	18	5.5	MGRI-7074	MG-10I
2.5	6.4	2.3	3.9	12	0.8	5	9	22	10	21	5.5	MGRI-7076	MG-10I

*All dimensions in mm

WE CONNECT ENERGY

www.mgelectrica.com

F-41, MIDC Area, Satpur, Nasik-7, Maharashtra, India. Telfax: +91 253 2350961, 2350163 lugs@mgelectrica.com

For details about our other products and specifications please refer the corporate website

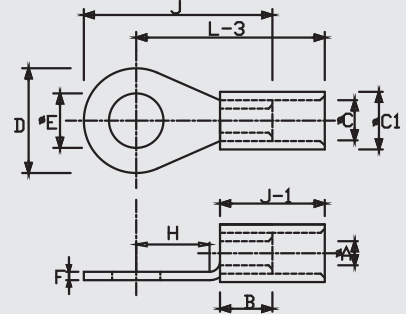
Disclaimer: M.G reserve the right product without prior, as part of its continual improvement programme. Whilst every effort is taken to ensure the accuracy of information contained in the sheet, M.G accepts no liability for matters arising as result of errors or omissions.



COPPER RING INSULATED TYPE TERMINAL

MATERIAL ETP COPPER IS : 1897:1983
SURFACE: TIN PLATED

1.5 sq. mm. **RED**
2.5 sq. mm. **BLUE**
4-6 sq. mm. **YELLOW**



Size mm ²	E	A	C	D	F	B	H	J	J-1	L-3	C-1	MG CAT NO.	Crim- ping Tools Code
2.5	8.2	2.3	3.9	12	0.8	5	9	22	10	21	5.5	MGRI-7077	MG-10I
2.5	8.2	2.3	3.9	16	0.8	5	10	25	10	22	5.5	MGRI-7079	MG-10I
2.5	10.2	2.3	3.9	16	0.8	5	10	25	10	22	5.5	MGRI-7080	MG-10I
2.5	12.7	2.3	3.9	18	0.8	5	14	29	10	25	5.5	MGRI-7082	MG-10I
2.5	3.2	2.3	3.9	6.5	0.8	5	3.5	12.7	10	14.5	5.5	MGRI-7068	MG-10I
2.5	3.5	2.3	3.9	8	0.8	5	5	16	10	17	5.5	MGRI-7070	MG-10I
2.5	5.2	2.3	3.9	10	0.8	5	7	18	10	18	5.5	MGRI-7073	MG-10I
2.5	5.2	2.3	3.9	12	0.8	5	9	22	10	21	5.5	MGRI-7075	MG-10I
2.5	6.4	2.3	3.9	16	0.8	5	10	25	10	22	5.5	MGRI-7078	MG-10I
2.5	10.2	2.3	3.9	18	0.8	5	14	29	10	25	5.5	MGRI-7081	MG-10I
4-6	5.2	3.5	5.5	10	1	6	5	19	14	22	7.1	MGRI-7086	MG-10I
4-6	6.4	3.5	5.5	12	1	6	6	20	14	22	7.1	MGRI-7089	MG-10I
4-6	8.2	3.5	5.5	12	1	6	6	20	14	22	7.1	MGRI-7090	MG-10I
4-6	6.4	3.5	5.5	12	1	6	7	22	14	24	7.1	MGRI-7092	MG-10I
4-6	8.2	3.5	5.5	14	1	6	10.5	25.5	14	26.5	7.1	MGRI-7094	MG-10I
4-6	9.7	3.5	5.5	14	1	6	10.5	25.5	14	26.5	7.1	MGRI-7095	MG-10I
4-6	10.2	3.5	5.5	16	1	6	13	30	14	30	7.1	MGRI-7097	MG-10I
4-6	10.2	3.5	5.5	18	1	6	12	30	14	29	7.1	MGRI-7099	MG-10I
4-6	12.7	3.5	5.5	18	1	6	12	30	14	29	7.1	MGRI-7100	MG-10I
4-6	5.2	3.5	5.5	8	1	6	5	17	14	21	7.1	MGRI-7084	MG-10I
4-6	4.2	3.5	5.5	10	1	6	5	19	14	22	7.1	MGRI-7085	MG-10I

*All dimensions in mm

WE CONNECT ENERGY

www.mgelectrica.com

F-41, MIDC Area, Satpur, Nasik-7, Maharashtra, India. Telfax: +91 253 2350961, 2350163 lugs@mgelectrica.com

For details about our other products and specifications please refer the corporate website

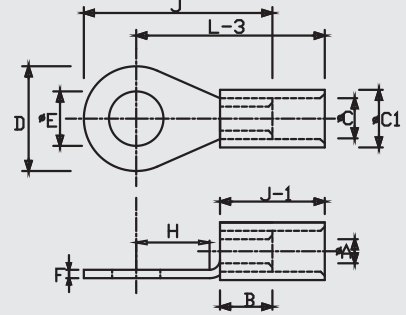
Disclaimer: M.G reserve the right product without prior, as part of its continual improvement programme. Whilst every effort is taken to ensure the accuracy of information contained in the sheet, M.G accepts no liability for matters arising as result of errors or omissions.



COPPER RING INSULATED TYPE TERMINAL

MATERIAL ETP COPPER IS : 1897:1983
SURFACE: TIN PLATED

1.5 sq. mm. **RED**
2.5 sq. mm. **BLUE**
4-6 sq. mm. **YELLOW**



Size mm ²	E	A	C	D	F	B	H	J	J-1	L-3	C-1	MG CAT NO.	Crim- ping Tools Code
4-6	5.2	3.5	5.5	12	1	6	6	20	14	22	7.1	MGRI-7088	MG-10I
4-6	5.2	3.5	5.5	12	1	6	7	22	14	24	7.1	MGRI-7091	MG-10I
4-6	6.4	3.5	5.5	14	1	6	10.5	25.5	14	26.5	7.1	MGRI-7093	MG-10I
4-6	8.2	3.5	5.5	16	1	6	13	30	14	30	7.1	MGRI-7096	MG-10I
4-6	8.2	3.5	5.5	18	1	6	12	30	14	30	7.1	MGRI-7098	MG-10I
4-6	4.2	3.5	5.5	8	1	6	5	17	14	21	7.1	MGRI-7083	MG-10I
4-6	5.2	3.5	5.5	8	1	6	9	22	14	26	7.1	MGRI-7087	MG-10I

*All dimensions in mm

WE CONNECT ENERGY

www.mgelectrica.com

F-41, MIDC Area, Satpur, Nasik-7, Maharashtra, India. Telfax: +91 253 2350961, 2350163 lugs@mgelectrica.com

For details about our other products and specifications please refer the corporate website

Disclaimer: M.G reserve the right product without prior, as part of its continual improvement programme. Whilst every effort is taken to ensure the accuracy of information contained in the sheet, M.G accepts no liability for matters arising as result of errors or omissions.