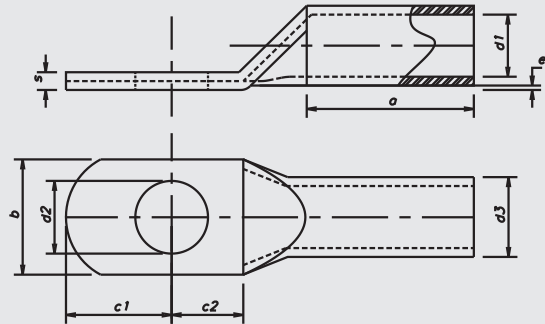


COPPER TUBULAR TERMINAL AS PER DIN 46235

MATERIAL : COPPER DIN
EN 13600-2002
STANDARD: DIN 46235
SURFACE: TIN PLATED



Size mm ²	d2	d1	d3	a	l	C1	C2	b	Total Length	MG CAT NO.	Crimping Tools Code
6	5.3	3.8	5.5	10	24	9	6	8.5	33	MGDT-6-5	MG-10
6	6.4	3.8	5.5	10	24	10.5	8	8.5	34.5	MGDT-6-6	MG-10
10	5.3	4.5	6	10	27	9	6	9	36	MGDT-10-5	MG-10
10	6.4	4.5	6	10	27	10.5	8	9	37.5	MGDT-10-6	MG-10
16	6.4	5.5	8.5	20	36	10.5	8	13	46.5	MGDT-16-6	MG-50BS
16	8.4	5.5	8.5	20	36	13	10	13	49	MGDT-16-8	MG-50BS
16	10.5	5.5	8.5	20	36	15	12	17	51	MGDT-16-10	MG-50BS
25	6.4	7	10	20	38	10.5	8	14	48.5	MGDT-25-6	MG-50BS
25	8.4	7	10	20	38	13	10	16	51	MGDT-25-8	MG-50BS
25	10.5	7	10	20	38	15	12	17	53	MGDT-25-10	MG-50BS
25	13	7	10	20	38	16	13	19	54	MGDT-25-13	MG-50BS
35	8.4	8.2	12.5	20	42	13	10	17	55	MGDT-35-8	MG-120
35	10.5	8.2	12.5	20	42	15	12	19	57	MGDT-35-10	MG-120
35	13	8.2	12.5	20	42	16	13	21	58	MGDT-35-13	MG-120
50	8.4	10	14.5	28	52	13	10	20	65	MGDT-50-8	MG-120
50	10.5	10	14.5	28	52	15	12	22	67	MGDT-50-10	MG-120
50	13	10	14.5	28	52	16	13	24	68	MGDT-50-13	MG-120
50	17	10	14.5	28	52	19	16	28	71	MGDT-50-17	MG-120
70	8.4	11.5	16.5	28	55	13	10	24	68	MGDT-70-8	MG-120
70	10.5	11.5	16.5	28	55	15	12	24	70	MGDT-70-10	MG-120
70	13	11.5	16.5	28	55	16	13	24	71	MGDT-70-13	MG-120

*All dimensions in mm

WE CONNECT ENERGY

www.mgelectrica.com

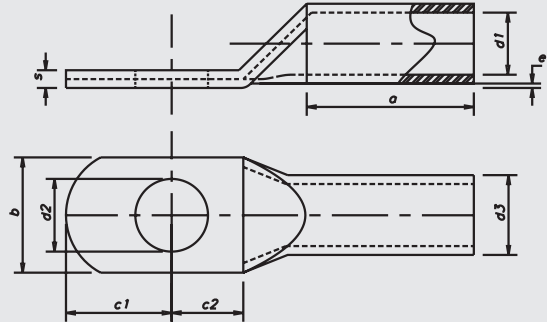
F-41, MIDC Area, Satpur, Nasik-7, Maharashtra, India. Telfax: +91 253 2350961, 2350163 lugs@mgelectrica.com

For details about our other products and specifications please refer the corporate website

Disclaimer: M.G reserve the right product without prior, as part of its continual improvement programme. Whilst every effort is taken to ensure the accuracy of information contained in the sheet, M.G accepts no liability for matters arising as result of errors or omissions.

COPPER TUBULAR TERMINAL AS PER DIN 46235

MATERIAL : COPPER DIN
EN 13600-2002
STANDARD: DIN 46235
SURFACE: TIN PLATED



Size mm ²	d2	d1	d3	a	l	C1	C2	b	Total Length	MG CAT NO.	Crimping Tools Code
70	17	11.5	16.5	28	55	19	16	30	74	MGDT-70-17	MG-120
95	10.5	13.5	19	35	65	15	12	28	80	MGDT-95-10	MG-300H
95	13	13.5	19	35	65	16	13	28	81	MGDT-95-13	MG-300H
95	17	13.5	19	35	65	19	16	32	84	MGDT-95-17	MG-300H
120	10.5	15.5	21	35	70	15	12	32	85	MGDT-120-10	MG-300H
120	13	15.5	21	35	70	16	13	32	86	MGDT-120-13	MG-300H
120	17	15.5	21	35	70	19	16	32	89	MGDT-120-17	MG-300H
120	21	15.5	21	35	70	22	20	38	92	MGDT-120-21	MG-300H
150	10.5	17	23.5	35	78	15	12	34	93	MGDT-150-10	MG-300H
150	13	17	23.5	35	78	16	13	34	94	MGDT-150-13	MG-300H
150	17	17	23.5	35	78	19	16	34	97	MGDT-150-17	MG-300H
150	21	17	23.5	35	78	22	20	40	100	MGDT-150-21	MG-300H
185	10.5	19	25.5	40	82	15	12	40	97	MGDT-185-10	MG-300H
185	13	19	25.5	40	82	16	13	40	98	MGDT-185-13	MG-300H
185	17	19	25.5	40	82	19	16	40	101	MGDT-185-17	MG-300H
185	21	19	25.5	40	82	22	20	40	104	MGDT-185-21	MG-300H
240	13	21.5	29	40	92	16	13	42	108	MGDT-240-13	MG-300H
240	17	21.5	29	40	92	19	16	42	111	MGDT-240-17	MG-300H
240	21	21.5	29	40	92	22	20	45	114	MGDT-240-21	MG-300H
300	17	24.5	32	50	100	19	16	48	119	MGDT-300-17	MG-300H
300	21	24.5	32	50	100	22	20	48	122	MGDT-300-21	MG-300H

*All dimensions in mm

WE CONNECT ENERGY

www.mgelectrica.com

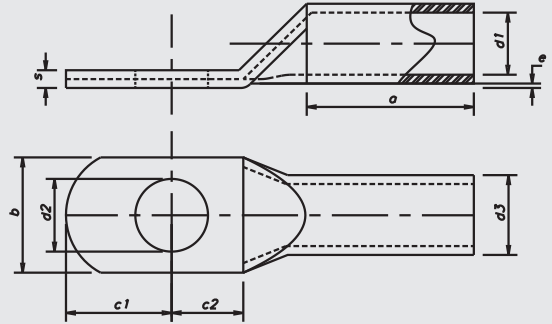
F-41, MIDC Area, Satpur, Nasik-7, Maharashtra, India. Telfax: +91 253 2350961, 2350163 lugs@mgelectrica.com

For details about our other products and specifications please refer the corporate website

Disclaimer: M.G reserve the right product without prior, as part of its continual improvement programme. Whilst every effort is taken to ensure the accuracy of information contained in the sheet, M.G accepts no liability for matters arising as result of errors or omissions.

COPPER TUBULAR TERMINAL AS PER DIN 46235

MATERIAL : COPPER DIN
EN 13600-2002
STANDARD: DIN 46235
SURFACE: TIN PLATED



Size mm ²	d2	d1	d3	a	l	C1	C2	b	Total Length	MG CAT NO.	Crimping Tools Code
400	17	27.5	38.5	70	115	25	16	55	140	MGDT-400-17	MG-1000
400	21	27.5	38.5	70	115	25	20	55	140	MGDT-400-21	MG-1000
500	21	31	42	70	125	25	20	60	150	MGDT-500-21	MG-1000
625	21	34.5	44	80	135	25	20	60	160	MGDT-625-21	MG-1000
800	21	40	52	100	165	25	20	75	190	MGDT-800-21	MG-1000
1000	21	44	58	100	165	25	20	85	190	MGDT-1000-21	MG-1000

*All dimensions in mm

WE CONNECT ENERGY

www.mgelectrica.com

F-41, MIDC Area, Satpur, Nasik-7, Maharashtra, India. Telfax: +91 253 2350961, 2350163 lugs@mgelectrica.com

For details about our other products and specifications please refer the corporate website

Disclaimer: M.G reserve the right product without prior, as part of its continual improvement programme. Whilst every effort is taken to ensure the accuracy of information contained in the sheet, M.G accepts no liability for matters arising as result of errors or omissions.