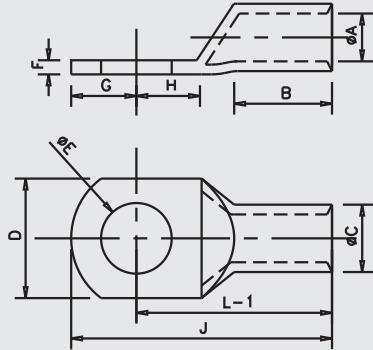


COPPER TUBULAR TERMINAL BS 4579

MATERIAL : COPPER BS 1977:1976
& IS 1897
SURFACE: TIN PLATED



Size mm ²	E	A	C	D	F	B	G	H	L-1	J	MG CAT NO.	Crimping Tools Code
1.5	5.2	1.8	3.7	8	1	5	4	5	12	16	MGT 1.5-5	MG-10
1.5	6.5	1.8	3.7	10	0.8	5	5	5	13	18	MGT 1.5-6	MG-10
2.5	4.2	2.4	4	8	1	7	4	5	14	18	MGT 2.5-4	MG-10
2.5	5.2	2.4	4	10	0.8	7	5	6	15	20	MGT 2.5-5	MG-10
2.5	6.5	2.4	4	10	0.8	7	5	6	15	20	MGT 2.5-6	MG-10
4	5.2	3.1	4.8	10	1	7	5	6	15	20	MGT 4-5	MG-10
4	6.5	3.1	4.8	10	1	7	5	6	15	20	MGT 4-6	MG-10
6	5.2	3.8	5.5	10	1.2	9	5	6	18	23	MGT 6-5	MG-10
6	6.5	3.8	5.5	12	1	9	6	9	21	27	MGT 6-6	MG-10
6	8.4	3.8	5.5	12	1	9	6	9	21	27	MGT 6-8	MG-10
10	6.5	4.5	6.2	12	1.2	9	6	7	19	25	MGT 10-6	MG-10
10	8.4	4.5	6.2	12	1.2	9	6	9	21	27	MGT 10-8	MG-10
16	6.5	5.4	7.1	12	1.4	12	7	7	23	30	MGT 16-6	MG-50BS
16	8.4	5.4	7.1	12	1.4	12	7	9	25	32	MGT 16-8	MG-50BS
25	6.5	6.8	8.8	13	2	12	7	7	23	30	MGT 25-6	MG-50BS
25	8.4	6.8	8.8	18	1.4	12	10	11	27	37	MGT 25-8	MG-50BS
25	10.5	6.8	8.8	18	1.4	12	10	11	27	37	MGT 25-10	MG-50BS
35	6.5	8.2	10.6	15	2.4	12	9	9	26	35	MGT 35-6	MG-50BS
35	8.4	8.2	10.6	15	2.4	12	9	9	26	35	MGT 35-8	MG-50BS
35	10.5	8.2	10.6	18	2	12	10	11	28	38	MGT 35-10	MG-50BS
50	8.4	9.5	12.4	18	2.9	16	10	11	33	43	MGT 50-8	MG-50BS

*All dimensions in mm

WE CONNECT ENERGY

www.mgelectrica.com

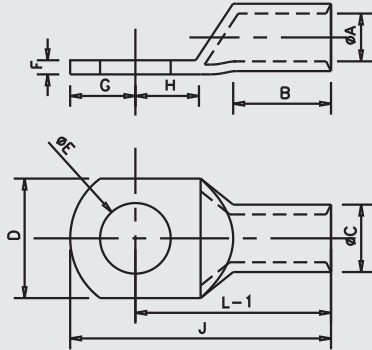
F-41, MIDC Area, Satpur, Nasik-7, Maharashtra, India. Telfax: +91 253 2350961, 2350163 lugs@mgelectrica.com

For details about our other products and specifications please refer the corporate website

Disclaimer: M.G reserve the right product without prior, as part of its continual improvement programme. Whilst every effort is taken to ensure the accuracy of information contained in the sheet, M.G accepts no liability for matters arising as result of errors or omissions.

COPPER TUBULAR TERMINAL BS 4579

MATERIAL : COPPER BS 1977:1976
& IS 1897
SURFACE: TIN PLATED



Size mm ²	E	A	C	D	F	B	G	H	L-1	J	MG CAT NO.	Crimping Tools Code
50	10.5	9.5	12.4	18	2.9	16	10	11	33	43	MGT 50-10	MG-50BS
70	8.4	11.2	14.7	21	3.5	18	12	13	38	50	MGT 70-8	MG-120H
70	10.5	11.2	14.7	21	3.5	18	12	13	38	50	MGT 70-10	MG-120H
70	13	11.2	14.7	21	3.5	18	12	13	38	50	MGT 70-13	MG-120H
95	10.5	13.5	17.4	25	3.9	20	13	13	42	55	MGT 95-10	MG-120H
95	13	13.5	17.4	25	3.9	20	13	13	42	55	MGT 95-13	MG-120H
120	13	15	19.4	28	4.4	22	14	14	46	60	MGT 120-13	MG-120H
120	17	15	19.4	28	4.4	22	16	16	48	64	MGT 120-17	MG-120H
150	13	16.5	21.2	30	4.7	26	16	16	53	69	MGT 150-13	MG-300H
150	17	16.5	21.2	30	4.7	26	16	16	53	69	MGT 150-17	MG-300H
185	17	18.5	23.5	34	5	32	17	17	61	78	MGT 185-17	MG-300H
240	17	21	26.5	38	5.5	38	20	20	72	92	MGT 240-17	MG-300H
240	21	21	26.5	38	5.5	38	20	20	72	92	MGT 240-21	MG-300H
300	17	23.5	30	43	6.5	42	22	22	79	101	MGT 300-17	MG-300H
300	21	23.5	30	43	6.5	42	22	22	79	101	MGT 300-21	MG-300H
400	17	26.8	34.8	50	8	44	26	26	88	114	MGT 400-17	MG-1000
400	21	26.8	34.8	50	8	44	26	26	88	114	MGT 400-21	MG-1000
500	17	30	39	56	9	48	28	28	96	124	MGT 500-17	MG-1000
630	20	35	45	65	10	56	33	33	111	144	MGT 630-21	MG-1000
800	---	39	50.6	73	11.6	78	35	35	135	170	MGT 800	MG-1000
1000	---	43	56.2	81	13.2	90	45	45	155	200	MGT 1000	MG-1000

*All dimensions in mm

WE CONNECT ENERGY

www.mgelectrica.com

F-41, MIDC Area, Satpur, Nasik-7, Maharashtra, India. Telfax: +91 253 2350961, 2350163 lugs@mgelectrica.com

For details about our other products and specifications please refer the corporate website

Disclaimer: M.G reserve the right product without prior, as part of its continual improvement programme. Whilst every effort is taken to ensure the accuracy of information contained in the sheet, M.G accepts no liability for matters arising as result of errors or omissions.