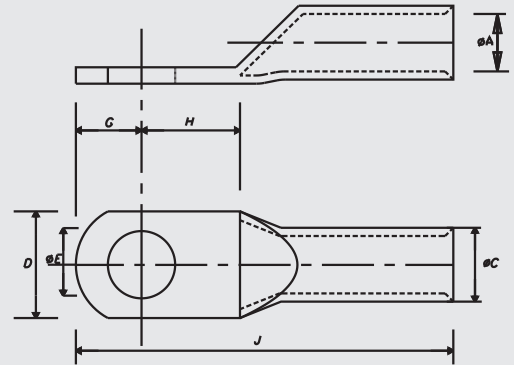




COPPER TUBULAR TERMINAL ENDS FOR HIGH VOLTAGE 33KV

MATERIAL : COPPER BS 1977:1976
& IS 1897
SURFACE: TIN PLATED



Size mm ²	E	A	C	D	G	H	J	MG CAT NO.	Crimping Tools Code
25	8	6.8	10	14	8	9	65	MGVCT 25-8	MG-70H
25	10	6.8	10	18	11	13	72	MGVCT 25-10	MG-70H
25	12	6.8	10	21	14	16	78	MGVCT 25-12	MG-70H
35	12	8.2	12.5	21	14	16	79	MGVCT 35-12	MG-70H
35	16	8.2	12.5	26	17	19	85	MGVCT 35-16	MG-70H
50	12	9.5	14.5	21	14	16	79	MGVCT 50-12	MG-70H
50	16	9.5	14.5	26	17	19	85	MGVCT 50-16	MG-70H
70	12	11	16	28	14	16	81	MGVCT 70-12	MG-70H
70	16	11	16	30	17	19	87	MGVCT 70-16	MG-70H
95	12	13.5	19	28	14	16	91	MGVCT 95-12	MG-120H
95	14	13.5	19	29	16	18	95	MGVCT 95-14	MG-120H
95	16	13.5	19	30	17	20	97	MGVCT 95-16	MG-120H
120	12	15	20.5	31	14	16	97	MGVCT 120-12	MG-120H
120	14	15	20.5	31	16	18	101	MGVCT 120-14	MG-120H
150	12	16.5	23	32	14	16	97	MGVCT 150-12	MG-300H
150	14	16.5	23	32	16	18	101	MGVCT 150-14	MG-300H
185	14	17	23.5	32.5	16	18	101	MGVCT 185 -14	MG-300H
240	14	19.2	25.5	44	16	18	105	MGVCT 240-14	MG-300H
300	14	23.5	32	43	16	18	105	MGVCT 300-14	MG-300H

*All dimensions in mm

WE CONNECT ENERGY

www.mgelectrica.com

F-41, MIDC Area, Satpur, Nasik-7, Maharashtra, India. Telfax: +91 253 2350961, 2350163 lugs@mgelectrica.com

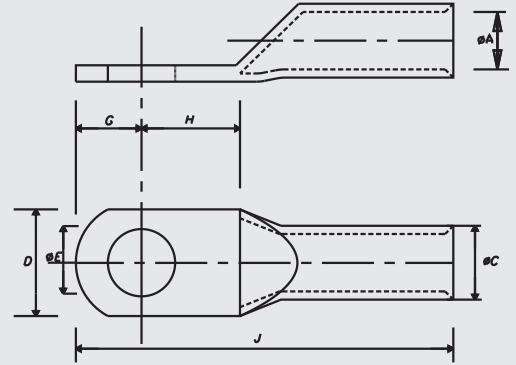
For details about our other products and specifications please refer the corporate website

Disclaimer: M.G reserve the right product without prior, as part of its continual improvement programme. Whilst every effort is taken to ensure the accuracy of information contained in the sheet, M.G accepts no liability for matters arising as result of errors or omissions.



COPPER TUBULAR TERMINAL ENDS FOR HIGH VOLTAGE 33KV

MATERIAL : COPPER BS 1977:1976
& IS 1897
SURFACE: TIN PLATED



Size mm ²	E	A	C	D	G	H	J	MG CAT NO.	Crimping Tools Code
400	14	27	38	51	19	22	140	MGVCT 400-14	MG-1000
400	16	27	38	51	19	22	140	MGVCT 400-16	MG-1000
400	20	27	38	51	23	24	146	MGVCT 400-20	MG-1000
500	16	30.3	41	56.5	19	22	147	MGVCT 500-16	MG-1000
500	20	30.3	41	56.5	23	24	153	MGVCT 500-20	MG-1000
630	16	33.4	43	61.5	19	22	159	MGVCT 630-16	MG-1000
630	20	33.4	43	61.5	23	24	165	MGVCT 630-20	MG-1000

*All dimensions in mm

WE CONNECT ENERGY

www.mgelectrica.com

F-41, MIDC Area, Satpur, Nasik-7, Maharashtra, India. Telfax: +91 253 2350961, 2350163 lugs@mgelectrica.com

For details about our other products and specifications please refer the corporate website

Disclaimer: M.G reserve the right product without prior, as part of its continual improvement programme. Whilst every effort is taken to ensure the accuracy of information contained in the sheet, M.G accepts no liability for matters arising as result of errors or omissions.