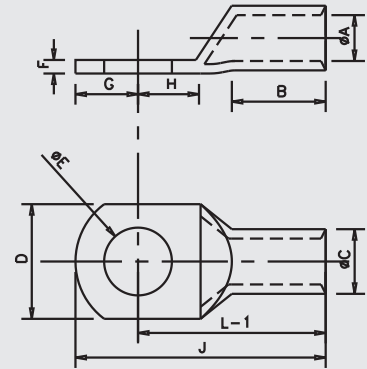


## COPPER TUBULAR TERMINAL ENDS FOR XLPE CABLES

MATERIAL : COPPER BS 1977:1976  
& IS 1897  
SURFACE: TIN PLATED



Size mm <sup>2</sup>	E	A	C	D	F	B	G	H	L-1	J	MG CAT NO.	Crimping Tools Code
1.5	5.2	1.8	3.7	8	1	5	4	5	12	16	MGCUS-538	MG-10
1.5	6.5	1.8	3.7	10	0.8	5	4	5	13	18	MGCUS-539	MG-10
2.5	4.2	2.4	4	8	1	7	4	5	14	18	MGCUS-388	MG-10
2.5	5.2	2.4	4	10	0.8	7	5	6	15	20	MGCUS-540	MG-10
2.5	6.5	2.4	4	10	0.8	7	5	6	15	20	MGCUS-541	MG-10
4	5.2	3.1	4.8	10	1	7	5	6	15	20	MGCUS-389	MG-10
4	6.5	3.1	4.8	10	1	7	5	6	15	20	MGCUS-543	MG-10
6	5.2	3.8	5.5	10	1.2	9	5	6	18	23	MGCUS-390	MG-10
6	6.5	3.8	5.5	12	1	9	6	9	21	27	MGCUS-544	MG-10
6	8.4	3.8	5.5	12	1	9	6	9	21	27	MGCUS-545	MG-10
10	6.5	4.5	6.2	12	1.2	9	6	7	19	25	MGCUS-353	MG-10
10	8.4	4.5	6.2	12	1.2	9	6	9	21	27	MGCUS-547	MG-10
16	6.5	5.4	7.1	12	1.4	12	7	7	23	30	MGCUS-354	MG-50BS
16	8.4	5.4	7.1	12	1.4	12	7	9	25	32	MGCUS-549	MG-50BS
25	6.5	6.8	8.8	13	2	12	7	7	23	30	MGCUS-355	MG-50BS
25	8.4	6.8	8.8	18	1.4	12	10	11	27	37	MGCUS-551	MG-50BS
25	10.5	6.8	8.8	18	1.4	12	10	11	27	37	MGCUS-552	MG-50BS
35	6.5	8.2	10.6	15	2.4	12	9	9	26	35	MGCUS-542	MG-50BS
35	8.4	8.2	10.6	15	2.4	12	9	9	26	35	MGCUS-356	MG-50BS

\*All dimensions in mm

WE CONNECT ENERGY

[www.mgelectrica.com](http://www.mgelectrica.com)

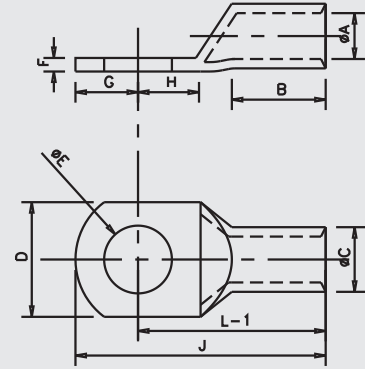
F-41, MIDC Area, Satpur, Nasik-7, Maharashtra, India. Telfax: +91 253 2350961, 2350163 lugs@mgelectrica.com

For details about our other products and specifications please refer the corporate website

Disclaimer: M.G reserve the right product without prior, as part of its continual improvement programme. Whilst every effort is taken to ensure the accuracy of information contained in the sheet, M.G accepts no liability for matters arising as result of errors or omissions.

## COPPER TUBULAR TERMINAL ENDS FOR XLPE CABLES

MATERIAL : COPPER BS 1977:1976  
& IS 1897  
SURFACE: TIN PLATED



Size mm <sup>2</sup>	E	A	C	D	F	B	G	H	L-1	J	MG CAT NO.	Crimping Tools Code
35	10.5	8.2	10.6	18	2	12	10	11	28	38	MGCUS-554	MG-50BS
50	8.4	9.5	12.4	18	2.9	16	10	11	33	43	MGCUS-357	MG-50BS
50	10.5	9.5	12.4	18	2.9	16	10	11	33	43	MGCUS-556	MG-50BS
70	8.4	11.2	14.7	21	3.5	18	12	13	38	50	MGCUS-557	MG-120
70	10.5	11.2	14.7	21	3.5	18	12	13	38	50	MGCUS-358	MG-120
70	13	11.2	14.7	21	3.5	18	12	13	38	50	MGCUS-559	MG-120
95	10.5	13.5	17.4	25	3.9	20	13	13	42	55	MGCUS-359	MG-120H
95	13	13.5	17.4	25	3.9	20	13	13	42	55	MGCUS-561	MG-120H
120	13	15	19.4	28	4.4	22	14	14	46	60	MGCUS-241	MG-120H
120	17	15	19.4	28	4.4	22	16	16	48	64	MGCUS-546	MG-120H
150	13	16.5	21.2	30	4.7	26	16	16	53	69	MGCUS-242	MG-300H
150	17	16.5	21.2	30	4.7	26	16	16	53	69	MGCUS-564	MG-300H
185	17	18.5	23.5	34	5	32	17	17	61	78	MGCUS-243	MG-300H
240	17	21	26.5	38	5.5	38	20	20	72	92	MGCUS-244	MG-300H
240	21	21	26.5	38	5.5	38	20	20	72	92	MGCUS-567	MG-300H
300	17	23.5	30	43	6.5	42	22	22	79	101	MGCUS-245	MG-300H
300	21	23.5	30	43	6.5	42	22	22	79	101	MGCUS-569	MG-300H
400	17	26.8	34.8	50	8	44	26	26	88	114	MGCUS-246	MG-1000
400	21	26.8	34.8	50	8	44	26	26	88	114	MGCUS-571	MG-1000

\*All dimensions in mm

WE CONNECT ENERGY

[www.mgelectrica.com](http://www.mgelectrica.com)

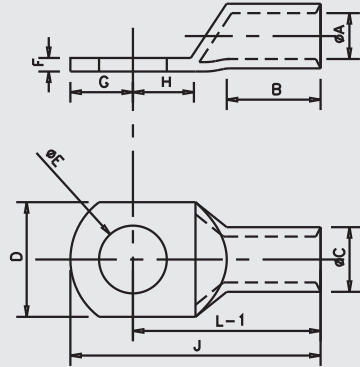
F-41, MIDC Area, Satpur, Nasik-7, Maharashtra, India. Telfax: +91 253 2350961, 2350163 [lugs@mgelectrica.com](mailto:lugs@mgelectrica.com)

For details about our other products and specifications please refer the corporate website

Disclaimer: M.G reserve the right product without prior, as part of its continual improvement programme. Whilst every effort is taken to ensure the accuracy of information contained in the sheet, M.G accepts no liability for matters arising as result of errors or omissions.

## COPPER TUBULAR TERMINAL ENDS FOR XLPE CABLES

MATERIAL : COPPER BS 1977:1976  
& IS 1897  
SURFACE: TIN PLATED



Size mm <sup>2</sup>	E	A	C	D	F	B	G	H	L-1	J	MG CAT NO.	Crimping Tools Code
500	17	30	39	56	9	48	28	28	96	124	MGCUS-247	MG-1000
630	21	35	45	65	10	56	33	33	111	144	MGCUS-248	MG-1000
800	---	39	50.6	73	11.6	78	35	35	135	170	MGCUS-599	MG-1000
1000	---	43	56.2	81	13.2	90	45	45	155	200	MGCUS-590	MG-1000

\*All dimensions in mm

WE CONNECT ENERGY

[www.mgelectrica.com](http://www.mgelectrica.com)

F-41, MIDC Area, Satpur, Nasik-7, Maharashtra, India. Telfax: +91 253 2350961, 2350163 lugs@mgelectrica.com

**For details about our other products and specifications please refer the corporate website**

Disclaimer: M.G reserve the right product without prior, as part of its continual improvement programme. Whilst every effort is taken to ensure the accuracy of information contained in the sheet, M.G accepts no liability for matters arising as result of errores or omissions.