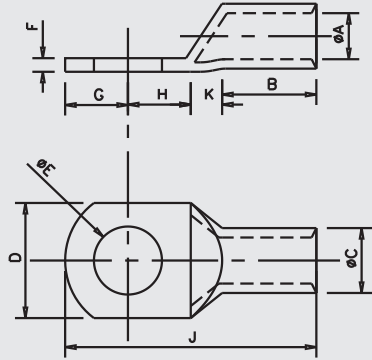


COPPER TUBULAR TERMINAL ENDS LIGHT DUTY

MATERIAL : COPPER BS 1977:1976
& IS 1897
SURFACE: TIN PLATED



Size mm ²	Stud Hole E	A	C	D	F	B	K	H	G	J	MG CAT NO.	Crimping Tools Code
2.5	5.2	2.4	4	9	1	7	3	5	5	20	MGCUS-05	MG-10
4	6.5	3.2	4.8	11	1	7	3	6	6	22	MGCUS-06	MG-10
6	6.5	3.8	5.5	11	1	9	3	6	6	24	MGCUS-07	MG-10
10	6.5	4.4	6.2	11	1.3	9	3	6	6	24	MGCUS-08	MG-10
16	6.5	5.3	7.1	11	1.6	12	4	8	6	30	MGCUS-09	MG-50SC
25	6.5	7	9	13	2	12	5	12	8	37	MGCUS-10	MG-50SC
35	6.5	8	10	15	2	12	5	12	8	37	MGCUS-11	MG-50SC
35	8.2	8	10	15	2	12	5	12	8	37	MGCUS-12	MG-50SC
50	6.5	9.2	11.2	16	2	16	8	12	9	45	MGCUS-13	MG-50SC
50	8.2	9.2	11.2	16	2	16	8	12	9	45	MGCUS-14	MG-50SC
50	10.2	9.2	11.2	16	2	16	8	12	9	45	MGCUS-15	MG-50SC
70	8.2	11.5	13.8	20	2.3	18	10	15	13	56	MGCUS-16	MG-120
70	10.2	11.5	13.8	20	2.3	18	10	15	13	56	MGCUS-17	MG-120
70	12.7	11.5	13.8	20	2.3	18	10	15	13	56	MGCUS-18	MG-120
95	10.2	12.8	15.6	23	2.8	20	10	15	13	58	MGCUS-19	MG-120H
95	12.7	12.8	15.6	23	2.8	20	10	15	13	58	MGCUS-20	MG-120H
120	10.2	14.8	17.8	26	3	22	10	16	14	62	MGCUS-21	MG-120H
120	12.7	14.8	17.8	26	3	22	10	16	14	62	MGCUS-22	MG-120H
120	16.2	14.8	17.8	26	3	22	10	16	14	62	MGCUS-23	MG-120H
150	10.2	16	19.6	28	3.6	26	11	18	15	70	MGCUS-24	MG-300H
150	12.7	16	19.6	28	3.6	26	11	18	15	70	MGCUS-25	MG-300H
150	16.2	16	19.6	28	3.6	26	11	18	15	70	MGCUS-26	MG-300H
185	12.7	18	22	32	4	30	11	21	21	83	MGCUS-27	MG-300H
185	16.2	18	22	32	4	30	11	21	21	83	MGCUS-28	MG-300H
225	16.2	20	24	35	4	32	15	24	24	95	MGCUS-231	MG-300H

*All dimensions in mm

WE CONNECT ENERGY

www.mgelectrica.com

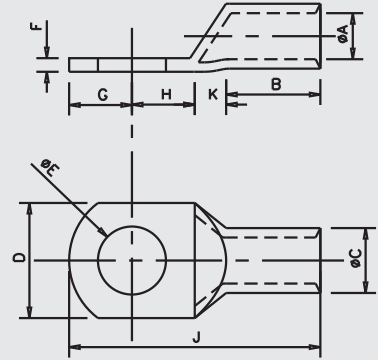
F-41, MIDC Area, Satpur, Nasik-7, Maharashtra, India. Telfax: +91 253 2350961, 2350163 lugs@mgelectrica.com

For details about our other products and specifications please refer the corporate website

Disclaimer: M.G reserve the right product without prior, as part of its continual improvement programme. Whilst every effort is taken to ensure the accuracy of information contained in the sheet, M.G accepts no liability for matters arising as result of errors or omissions.

COPPER TUBULAR TERMINAL ENDS LIGHT DUTY

MATERIAL : COPPER BS 1977:1976
& IS 1897
SURFACE: TIN PLATED



Size mm ²	Stud Hole E	A	C	D	F	B	K	H	G	J	MG CAT NO.	Crimping Tools Code
240	16.2	22	26	38	4	34	15	24	24	97	MGCUS-29	MG-300H
240	20.3	22	26	38	4	34	15	24	24	97	MGCUS-30	MG-300H
300	16.2	24	28.7	42	4.7	36	16	25	25	103	MGCUS-31	MG-300H
300	20.3	24	28.7	42	4.7	36	16	25	25	103	MGCUS-32	MG-300H
400	20.3	28	33.2	49	5.2	44	18	27	27	116	MGCUS-33	MG-1000
500	20.3	30	36	53	6	48	18	27	27	120	MGCUS-34	MG-1000
630	20.3	35	41.5	61	6.5	53	20	33	31	137	MGCUS-35	MG-1000
800	---	39	46.3	67	7.3	68	25	38	37	165	MGCUS-62	MG-1000
1000	---	43	53.8	76	10.8	90	30	45	45	210	MGCUS-76	MG-1000

*All dimensions in mm

WE CONNECT ENERGY

www.mgelectrica.com

F-41, MIDC Area, Satpur, Nasik-7, Maharashtra, India. Telfax: +91 253 2350961, 2350163 lugs@mgelectrica.com

For details about our other products and specifications please refer the corporate website

Disclaimer: M.G reserve the right product without prior, as part of its continual improvement programme. Whilst every effort is taken to ensure the accuracy of information contained in the sheet, M.G accepts no liability for matters arising as result of errores or omissions.