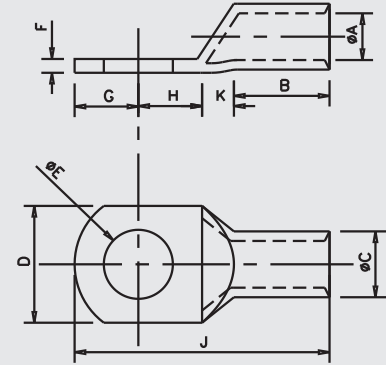


COPPER TUBULAR TERMINAL ENDS MEDIUM DUTY

MATERIAL : COPPER BS 1977:1976
& IS 1897
SURFACE: TIN PLATED



Size mm ²	E	A	C	D	F	B	G	H	J	MG CAT NO.	Crimping Tools Code
2.5	5.2	2	3.7	9	1	10.5	5	5	23.5	MGCEB-05	MG-10
4	6.4	3.1	4.8	11	1	10.5	6	6	25.5	MGCEB-06	MG-10
6	6.4	3.8	5.5	11	1	13.5	6	6	28.5	MGCEB-07	MG-10
10	6.4	4.4	6.2	11	1.3	13.5	6	6	28.5	MGCEB-08	MG-10
16	6.4	5.3	7.1	11	1.6	18	6	8	36	MGCEB-09	MG-50BS
25	6.4	7	9	13	2	18	8	12	43	MGCEB-10	MG-50BS
35	6.4	8	10	15	2	18	8	12	43	MGCEB-11	MG-50BS
35	8.2	8	10	15	2	18	8	12	43	MGCEB-12	MG-50BS
50	6.4	9.2	11.2	16	2	24	10	11	53	MGCEB-13	MG-50BS
50	8.2	9.2	11.2	16	2	24	10	11	53	MGCEB-14	MG-50BS
50	10.2	9.2	11.2	16	2	24	10	11	53	MGCEB-15	MG-50BS
70	8.2	11.6	13.8	20	2.2	27	13	15	65	MGCEB-16	MG-70H
70	10.2	11.6	13.8	20	2.2	27	13	15	65	MGCEB-17	MG-70H
70	12.7	11.6	13.8	20	2.2	27	13	15	65	MGCEB-18	MG-70H
95	10.2	12.8	15.6	23	2.8	30	13	15	68	MGCEB-19	MG-120H
95	12.7	12.8	15.6	23	2.8	30	13	15	68	MGCEB-20	MG-120H
120	10.2	14.8	17.8	26	3	33	14	16	73	MGCEB-21	MG-120H
120	12.7	14.8	17.8	26	3	33	14	16	73	MGCEB-22	MG-120H
120	16.4	14.8	17.8	26	3	33	14	16	73	MGCEB-23	MG-120H
150	10.2	16	19.6	28	3.6	39	15	18	83	MGCEB-24	MG-300H
150	12.7	16	19.6	28	3.6	39	15	18	83	MGCEB-25	MG-300H
150	16.4	16	19.6	28	3.6	39	15	18	83	MGCEB-26	MG-300H
185	12.7	18	22	32	4	45	21	21	98	MGCEB-27	MG-300H

*All dimensions in mm

WE CONNECT ENERGY

www.mgelectrica.com

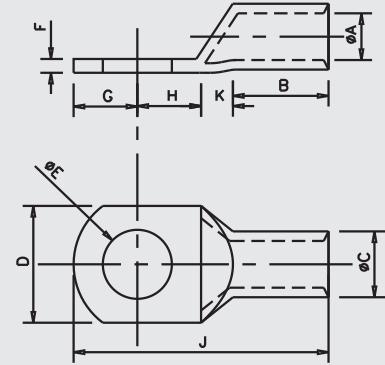
F-41, MIDC Area, Satpur, Nasik-7, Maharashtra, India. Telfax: +91 253 2350961, 2350163 lugs@mgelectrica.com

For details about our other products and specifications please refer the corporate website

Disclaimer: M.G reserve the right product without prior, as part of its continual improvement programme. Whilst every effort is taken to ensure the accuracy of information contained in the sheet, M.G accepts no liability for matters arising as result of errors or omissions.

COPPER TUBULAR TERMINAL ENDS MEDIUM DUTY

MATERIAL : COPPER BS 1977:1976
& IS 1897
SURFACE: TIN PLATED



Size mm ²	E	A	C	D	F	B	G	H	J	MG CAT NO.	Crimping Tools Code
185	16.4	18	22	32	4	45	21	21	98	MGCEB-28	MG-300H
225	16.4	20	24	35	4	51	24	24	112	MGCEB-231	MG-300H
240	16.4	22	26	38	4	54	24	24	115	MGCEB-29	MG-300H
240	20.3	22	26	38	4	54	24	24	115	MGCEB-30	MG-300H
300	16.4	24	28.7	42	4.7	58	25	26	122	MGCEB-31	MG-300H
300	20.3	24	28.7	42	4.7	58	25	26	122	MGCEB-32	MG-300H
400	20.3	28	33.2	49	5.2	66	27	27	138	MGCEB-33	MG-1000
500	20.3	30	36	53	6	72	27	27	144	MGCEB-34	MG-1000
630	20.3	35	41.5	61	6.5	83	31	33	165	MGCEB-35	MG-1000
800	-	39	46.3	67	7.3	98	37	38	198	MGCEB-62	MG-1000
1000		43	53.8	76	10.8	135	45	45	255	MGCEB-76	MG-1000

*All dimensions in mm

WE CONNECT ENERGY

www.mgelectrica.com

F-41, MIDC Area, Satpur, Nasik-7, Maharashtra, India. Telfax: +91 253 2350961, 2350163 lugs@mgelectrica.com

For details about our other products and specifications please refer the corporate website

Disclaimer: M.G reserve the right product without prior, as part of its continual improvement programme. Whilst every effort is taken to ensure the accuracy of information contained in the sheet, M.G accepts no liability for matters arising as result of errores or omissions.