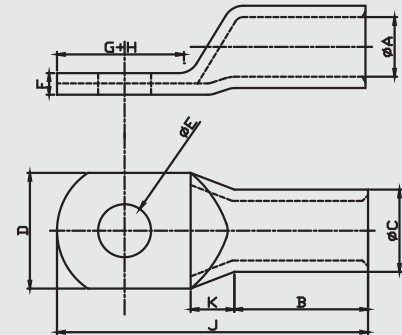


## COPPER TUBULAR TERMINAL ENDS REF : I.C.F.

MATERIAL : COPPER BS 1977:1976  
& IS 1897  
SURFACE: TIN PLATED



Size mm <sup>2</sup>	E	A	C	D	F	B	K	H	G	J	MG CAT NO.	Crimping Tools Code
11-17	5.2	6	8.5	11.9	2.5	14	3	10	6	33	319-106	MG-50BS
17-23	5.2	7.1	10.2	14.3	3.1	18	4	10	7	39	319-107	MG-50BS
17-23	10.2	7.1	10.2	19	2.2	18	4	12	10	44	319-108	MG-50BS
11-17	10.2	6	8.5	16	1.7	14	3	11	9	37	319-109	MG-50BS
23-29	5.2	8	11.7	16.3	3.7	18	4	11	8	41	319-110	MG-50BS
23-29	13	8	11.7	20	2.8	18	4	14	11	47	319-111	MG-50BS
45-57	6.5	11.1	15.8	22.2	4.7	24	6	15	11	56	319-112	MG-120H
29-45	13	9.8	13.7	22	3.2	18	5	14	11	48	319-113	MG-120H
57-75	6.5	12.6	17.8	25	5.2	24	6	15	13	58	319-114	MG-300H
90-110	6.5	15.3	20.9	29.6	5.6	24	6	17	15	62	319-115	MG-300H
29-45	5.2	9.8	13.7	19.3	3.9	18	5	10	10	43	319-116	MG-120H
146-183	10.2	19.8	26.9	38.2	7.1	29	8	21	18	76	319-128	MG-300H
75-90	6.5	13.7	19.1	26.9	5.4	24	6	16	13	59	319-137	MG-300H
110-146	8.2	17.5	24	34	6.5	29	7	18	17	71	319-138	MG-300H
183-225	10.2	21.9	29.7	42.2	7.8	29	9	24	21	83	319-139	MG-300H
225-299	13	25.4	34	48.5	8.6	29	10	26	24	89	319-140	MG-1000
299-366	13	28	37.6	53.6	9.6	38	11	29	27	105	319-141	MG-1000
366-437	13	30.5	41.7	59.1	11.2	38	12	32	29	111	319-142	MG-1000
11-17	6.5	6	8.5	11.9	2.5	14	3	10	6	33	319-145	MG-50BS
11-17	8.2	6	8.5	16	1.7	14	3	11	9	37	319-146	MG-50BS
17-23	6.5	7.1	10.2	14.3	3.1	18	4	10	7	39	319-147	MG-50BS

\*All dimensions in mm

WE CONNECT ENERGY

[www.mgelectrica.com](http://www.mgelectrica.com)

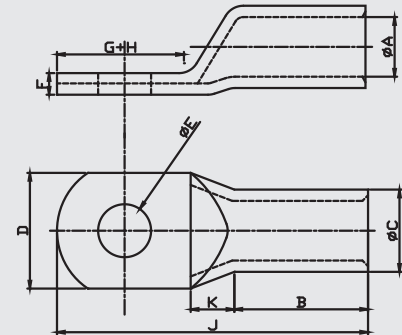
F-41, MIDC Area, Satpur, Nasik-7, Maharashtra, India. Telfax: +91 253 2350961, 2350163 lugs@mgelectrica.com

For details about our other products and specifications please refer the corporate website

Disclaimer: M.G reserve the right product without prior, as part of its continual improvement programme. Whilst every effort is taken to ensure the accuracy of information contained in the sheet, M.G accepts no liability for matters arising as result of errors or omissions.

## COPPER TUBULAR TERMINAL ENDS REF : I.C.F.

MATERIAL : COPPER BS 1977:1976  
& IS 1897  
SURFACE: TIN PLATED



Size mm <sup>2</sup>	E	A	C	D	F	B	K	H	G	J	MG CAT NO.	Crimping Tools Code
17-23	8.2	7.1	10.2	14.3	3.1	18	4	10	7	39	319-148	MG-50BS
23-29	6.5	8	11.7	16.3	3.7	18	4	11	8	41	319-149	MG-50BS
23-29	8.2	8	11.7	16.3	3.7	18	4	11	8	41	319-150	MG-50BS
23-29	10.2	8	11.7	20	2.8	18	4	14	11	47	319-151	MG-50BS
29-45	6.5	9.8	13.7	19.3	3.9	18	5	10	10	43	319-152	MG-120H
29-45	8.2	9.8	13.7	19.3	3.9	18	5	10	10	43	319-153	MG-120H
29-45	10.2	9.8	13.7	19.3	3.9	18	5	10	10	43	319-154	MG-120H
45-57	8.2	11.1	15.8	22.2	4.7	24	6	15	11	56	319-155	MG-120H
45-57	10.2	11.1	15.8	22.2	4.7	24	6	15	11	56	319-156	MG-120H
45-57	13	11.1	15.8	22.2	4.7	24	6	15	11	56	319-157	MG-120H
57-75	8.2	12.6	17.8	25	5.2	24	6	15	13	58	319-158	MG-300H
57-75	10.2	12.6	17.8	25	5.2	24	6	15	13	58	319-159	MG-300H
57-75	13	12.6	17.8	25	5.2	24	6	15	13	58	319-160	MG-300H
75-90	8.2	13.7	19.1	26.9	5.4	24	6	16	13	59	319-161	MG-300H
75-90	10.2	13.7	19.1	26.9	5.4	24	6	16	13	59	319-162	MG-300H
75-90	13	13.7	19.1	26.9	5.4	24	6	16	13	59	319-163	MG-300H
90-110	8.2	15.3	20.9	29.6	5.6	24	6	17	15	62	319-164	MG-300H
90-110	10.2	15.3	20.9	29.6	5.6	24	6	17	15	62	319-165	MG-300H
90-110	13	15.3	20.9	29.6	5.6	24	6	17	15	62	319-166	MG-300H
110-146	10.2	17.5	24	34	6.5	29	7	18	17	71	319-167	MG-300H
110-146	13	17.5	24	34	6.5	29	7	18	17	71	319-168	MG-300H

\*All dimensions in mm

WE CONNECT ENERGY

[www.mgelectrica.com](http://www.mgelectrica.com)

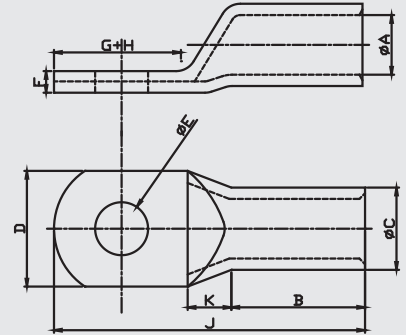
F-41, MIDC Area, Satpur, Nasik-7, Maharashtra, India. Telfax: +91 253 2350961, 2350163 lugs@mgelectrica.com

For details about our other products and specifications please refer the corporate website

Disclaimer: M.G reserve the right product without prior, as part of its continual improvement programme. Whilst every effort is taken to ensure the accuracy of information contained in the sheet, M.G accepts no liability for matters arising as result of errors or omissions.

**COPPER TUBULAR  
TERMINAL ENDS  
REF : I.C.F.**

MATERIAL : COPPER BS 1977:1976  
& IS 1897  
SURFACE: TIN PLATED



Size mm <sup>2</sup>	E	A	C	D	F	B	K	H	G	J	MG CAT NO.	Crimping Tools Code
110-146	17	17.5	24	34	6.5	29	7	18	17	71	319-169	MG-300H
146-183	13	19.8	26.9	38.2	7.1	29	8	21	18	76	319-170	MG-300H
146-183	17	19.8	26.9	38.2	7.1	29	8	21	18	76	319-171	MG-300H
183-225	13	21.9	29.7	42.2	7.8	29	9	24	21	83	319-172	MG-300H
183-225	17	21.9	29.7	42.2	7.8	29	9	24	21	83	319-173	MG-300H
183-225	21	21.9	29.7	42.2	7.8	29	9	24	21	83	319-174	MG-300H
225-299	17	25.4	34	48.5	8.6	29	10	26	24	89	319-175	MG-1000
225-299	21	25.4	34	48.5	8.6	29	10	26	24	89	319-176	MG-1000
299-366	17	28	37.6	53.6	9.6	38	11	29	27	105	319-177	MG-1000
299-366	21	28	37.6	53.6	9.6	38	11	29	27	105	319-178	MG-1000
366-437	17	30.5	41.7	59.1	11.2	38	12	32	29	111	319-179	MG-1000
366-437	21	30.5	41.7	59.1	11.2	38	12	32	29	111	319-180	MG-1000

\*All dimensions in mm

**WE CONNECT ENERGY**

[www.mgelectrica.com](http://www.mgelectrica.com)

F-41, MIDC Area, Satpur, Nasik-7, Maharashtra, India. Telfax: +91 253 2350961, 2350163 lugs@mgelectrica.com

**For details about our other products and specifications please refer the corporate website**

Disclaimer: M.G reserve the right product without prior, as part of its continual improvement programme. Whilst every effort is taken to ensure the accuracy of information contained in the sheet, M.G accepts no liability for matters arising as result of errores or omissions.