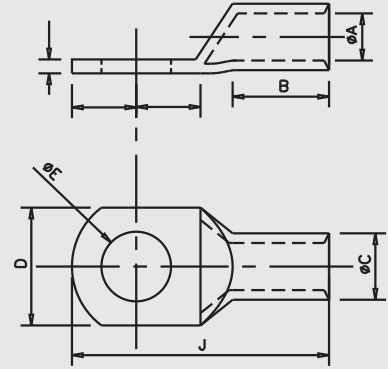


SOLDERRING TYPE COPPER TUBULAR SOCKETS SUITABLE FOR ALUMINIUM CONDUCTORS

MATERIAL : COPPER BS 1977:1976
& IS 1897
SURFACE: TIN PLATED



Amps	Size mm ²	E	A	C	D	B	J	MG CAT NO.	Crimping Tools Code
15	7/1.06	3.2	3.9	4.8	7	7	19	MGEW-201	MG-10
30	7/1.4	5.1	5.2	6.3	9	9	21	MGEW-202	MG-10
60	7/2.24	6.4	8.1	9.5	14	14	36	MGEW-203	MG-50BS
100	19/1.8	9.5	10.9	12.7	19	19	49	MGEW-204	MG-120
150	19/2.24	9.5	13.9	15.9	24	23	57	MGEW-205	MG-120
200	19/2.5	12.7	16.6	19	28	27	66	MGEW-206	MG-120
300	37/2.24	12.7	19	22.2	3	28	80	MGEW-207	MG-300H
400	37/2.5	15.9	22.2	25.4	38	32	89	MGEW-208	MG-300H
500	61/2.24	19	25.4	28.6	43	38	105	MGEW-209	MG-300H
600	61/2.5	19	27.8	31.8	47	44	115	MGEW-210	MG-300H
800	61/3	23.8	31.7	38.1	56	47	121	MGEW-211	MG-1000
1000	91/3	23.8	38.1	44.5	66	56	152	MGEW-212	MG-1000
1000	91/3.75		50	57.3	85	62	164	MGEW-295	MG-1000

*All dimensions in mm

WE CONNECT ENERGY

www.mgelectrica.com

F-41, MIDC Area, Satpur, Nasik-7, Maharashtra, India. Telfax: +91 253 2350961, 2350163 lugs@mgelectrica.com

For details about our other products and specifications please refer the corporate website

Disclaimer: M.G reserve the right product without prior, as part of its continual improvement programme. Whilst every effort is taken to ensure the accuracy of information contained in the sheet, M.G accepts no liability for matters arising as result of errors or omissions.